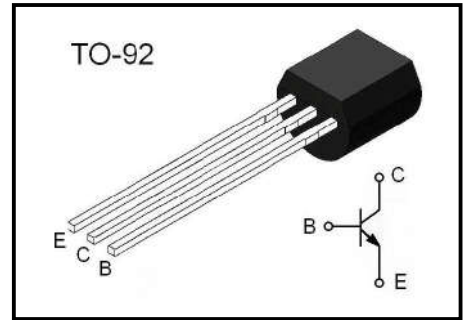


**NPN Plastic-Encapsulate Transistors**



**APPLICATIONS**

- ◆ Low frequency amplifier
- ◆ Low noise amplifier

**FEATURES**

- ◆ Low noise:  
 NF = 4dB (typ.)  $R_G = 100\Omega$ ,  $V_{CE} = 6V$ ,  $I_C = 100\mu A$ ,  $f = 1kHz$   
 NF = 0.5dB (typ.)  $R_G = 1k\Omega$ ,  $V_{CE} = 6V$ ,  $I_C = 100\mu A$ ,  $f = 1kHz$
- ◆ Low pulse noise: Low 1/f noise
- ◆ High DC current gain:  $h_{FE} = 150\sim 700$
- ◆ High breakdown voltage:  $V_{CEO} = 120V$

**Absolute Maximum Ratings (Ta=25°C)**

Parameter	Symbol	Value	Unit
Collector-base voltage	$V_{CBO}$	120	V
Collector-emitter voltage	$V_{CEO}$	120	V
Emitter-base voltage	$V_{EBO}$	5	V
Collector current	$I_C$	100	mA
Base current	$I_B$	20	mA
Collector power dissipation	$P_c$	300	mW
Junction temperature	$T_J$	125	°C
Storage temperature	$T_{stg}$	-55 ~ +125	°C

**Electrical Characteristics (Ta=25°C)**

Parameter	Conditions	Symbol	Min	Typ	Max	Unit
Collector-base breakdown voltage	$I_C = 100\mu A$ , $I_E = 0$	$BV_{CBO}$	120			V
Collector-emitter breakdown voltage	$I_C = 1mA$ , $I_B = 0$	$BV_{CEO}$	120			V
Emitter-base breakdown voltage	$I_E = 100\mu A$ , $I_C = 0$	$BV_{EBO}$	5			V
Collector cut-off current	$V_{CB} = 120V$ , $I_E = 0$	$I_{CBO}$			0.1	$\mu A$
Emitter cut-off current	$V_{EB} = 6V$ , $I_C = 0$	$I_{EBO}$			0.1	$\mu A$
DC current gain	$V_{CE} = 6V$ , $I_C = 2mA$	$h_{FE}$	150		700	
Collector-emitter saturation voltage	$I_C = 10mA$ , $I_B = 1mA$	$V_{CE(sat)}$			0.3	V
Base-emitter voltage	$V_{CE} = 6V$ , $I_C = 2mA$	$V_{BE(on)}$			1.0	V
Transition frequency	$V_{CE} = 5V$ , $I_B = 10mA$	$f_T$		100		MHz
Collector output capacitance	$V_{CB} = 10V$ , $I_E = 0$ , $f = 1kHz$	$C_{ob}$		3		pF

**$h_{FE}$  Classification**

Classification	2SC2240-F	2SC2240-G	2SC2240-BL
Range	150~200	200~400	350~700

Typical Characteristics

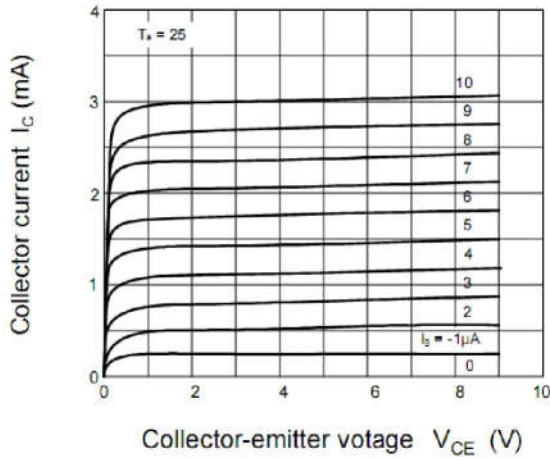


Figure 1. Static Characteristic

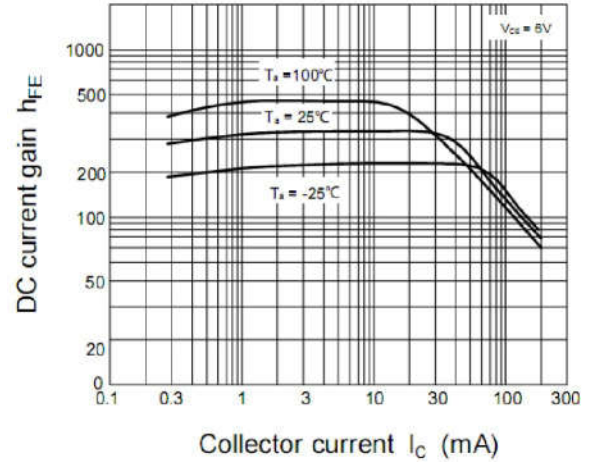


Figure 2. DC current Gain

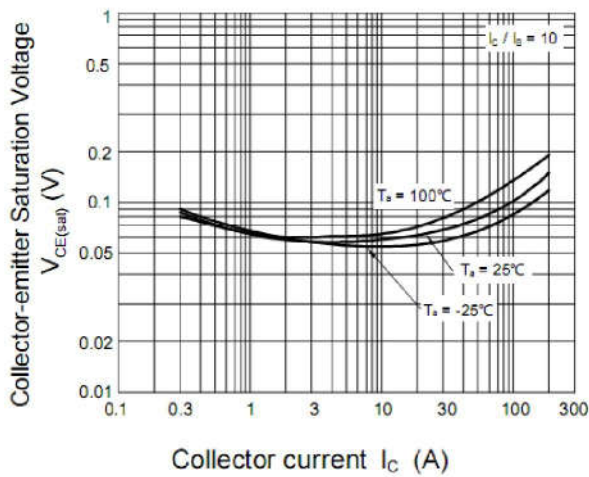


Figure 3. Collector-Emitter Saturation Voltage

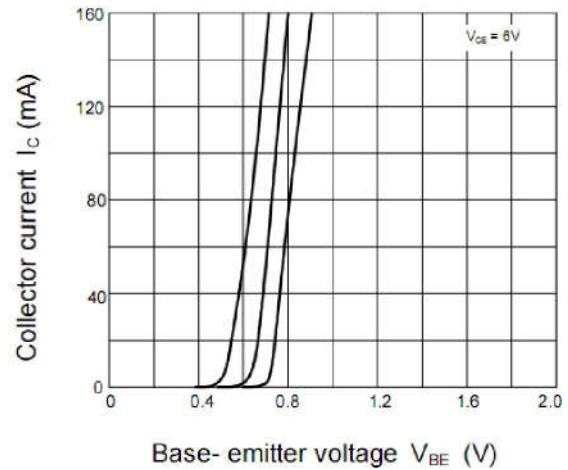


Figure 4. Base-Emitter Voltage

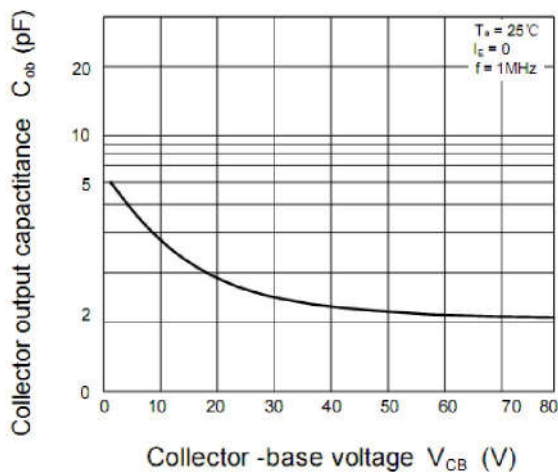


Figure 5. Output Capacitance

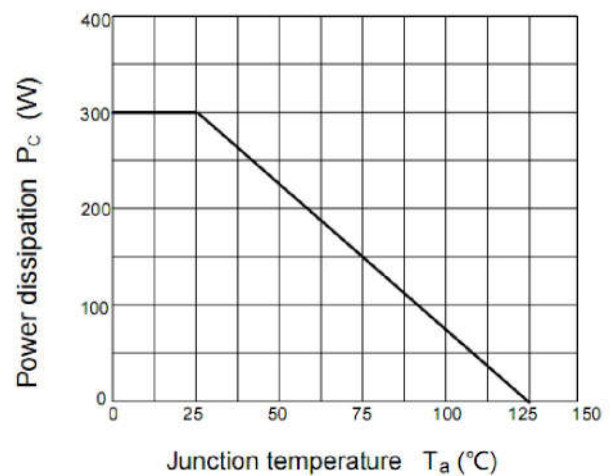


Figure 6. Power Derating

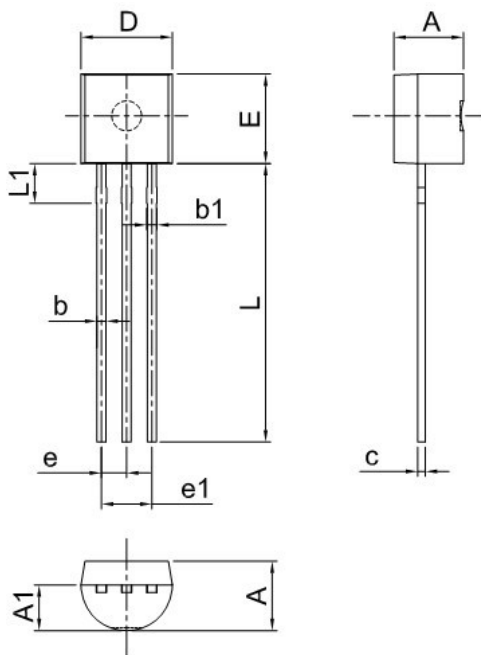
**Ordering information**

Package	Packing Description	Base Quantity
TO-92	Bulk	1000pcs/Bag
	Tape	2000pcs/Box

**Package Dimensions**

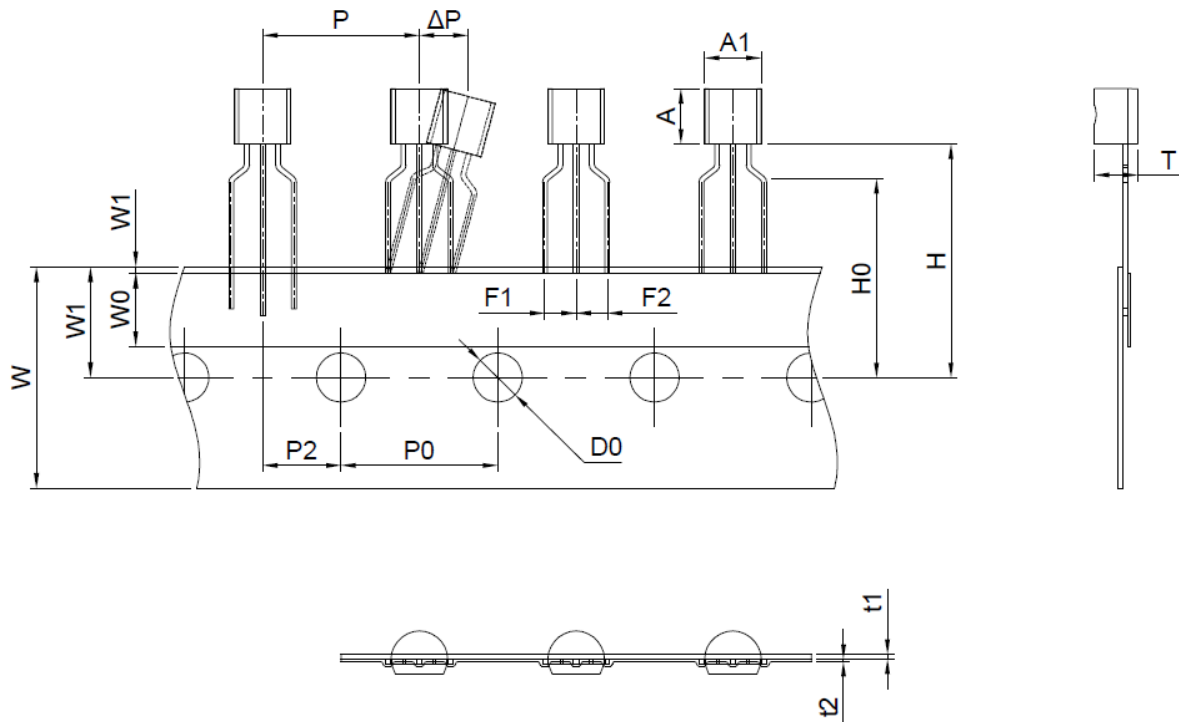
**TO-92**

Dim	Millimeter		Inches	
	Min.	Max.	Min.	Max.
A	3.30	3.70	0.130	0.146
A1	2.30	2.70	0.091	0.106
b	0.40	0.50	0.016	0.020
b1	0.50	0.70	0.020	0.028
c	0.35	0.45	0.014	0.018
D	4.45	4.70	0.175	0.185
E	4.40	4.65	0.173	0.183
e	1.17	1.37	0.046	0.054
e1	2.34	2.64	0.092	0.104
L	13.50	14.50	0.531	0.571
L1	1.80	2.20	0.071	0.087

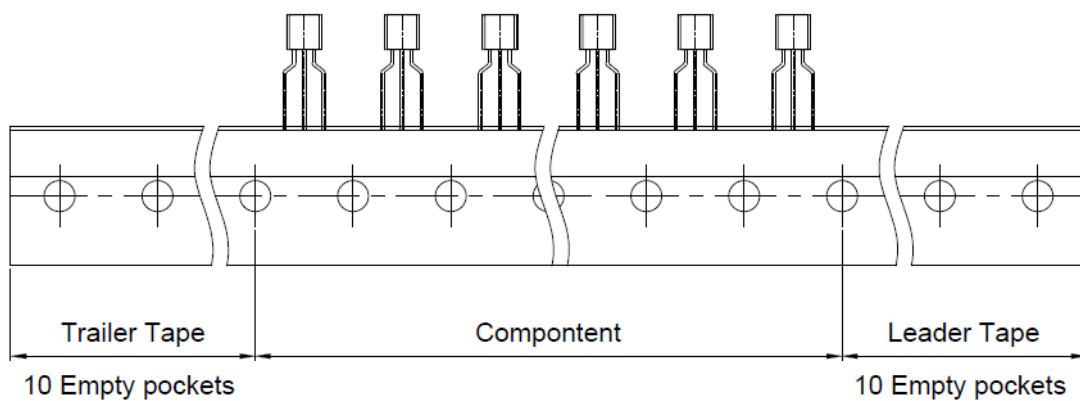


**Taping Dimensions**

TO-92



Dimensions are in millimeter								
A	A1	T	P	P0	P2	F1	F2	W
4.6	4.6	3.5	12.7	12.7	6.35	2.54	2.54	18.0
W0	W1	W2	H	H0	D0	t1	T2	$\Delta P$
6.0	9.0	1.0Max	19.0	18.0	4.0	0.4	0.2	0



## Disclaimer

The information presented in this document is for reference only. GuangDong Youfeng Microelectronics Co.,Ltd. reserves the right to make changes without notice for the specification of the products displayed herein to improve reliability, function or design or otherwise. The product listed herein is designed to be used with ordinary electronic equipment or devices, and not designed to be used with equipment or devices which require high level of reliability and the malfunction of which would directly endanger human life (such as medical instruments, transportation equipment, aerospace machinery, nuclear-reactor controllers, fuel controllers and other safety devices), YFW or anyone on its behalf, assumes no responsibility or liability for any damages resulting from such improper use of sale. This publication supersedes & replaces all information previously supplied. For additional information, please visit our website <https://www.yfwdiode.com>, or consult YFW sales office for further assistance.