

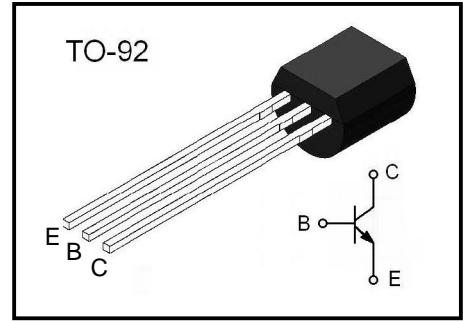
Plastic-Encapsulate Transistors

TRANSISTOR (NPN)

**1W Output Amplifier of Potable Radios in Class B
Push-pull Operation**

FEATURES

- ◆ High total power dissipation. ($P_C = 625\text{mW}$)
- ◆ High Collector Current. ($I_C = 500\text{mA}$)
- ◆ Complementary to S9012



Absolute Maximum Ratings ($T_a = 25^\circ\text{C}$)

Parameter	Symbol	Value	Unit
Collector-Base Voltage	BV_{CBO}	40	V
Collector-Emitter Voltage	BV_{CEO}	20	V
Emitter-Base Voltage	BV_{EBO}	5	V
Collector Current	I_C	500	mA
Collector Power Dissipation	P_C	625	mW
Junction Temperature	T_j	150	$^\circ\text{C}$
Storage Temperature	T_{stg}	-55~+150	$^\circ\text{C}$

Electrical Characteristics ($T_a = 25^\circ\text{C}$)

Parameter	Conditions	Symbol	Value			Unit
			Min	Typ	Max	
Collector-base breakdown voltage	$I_C = 100\mu\text{A}, I_E = 0$	$V_{(BR)CBO}$	40			V
Collector-emitter breakdown voltage	$I_C = 1\text{mA}, I_B = 0$	$V_{(BR)CEO}$	20			V
Emitter-base breakdown voltage	$I_E = 100\mu\text{A}, I_C = 0$	$V_{(BR)EBO}$	5			V
Collector cut-off current	$V_{CB} = 25\text{V}, I_E = 0$	I_{CBO}			0.1	μA
Emitter cut-off current	$V_{EB} = 3\text{V}, I_C = 0$	I_{EBO}			0.1	μA
DC current gain	$V_{CE} = 1\text{V}, I_C = 50\text{mA}$	$h_{FE(1)}$	120		400	
	$V_{CE} = 1\text{V}, I_C = 500\text{mA}$	$h_{FE(2)}$	40			
Collector-emitter saturation voltage	$I_C = 500\text{mA}, I_B = 50\text{mA}$	V_{CESAT}			0.6	V
base -emitter saturation voltage	$I_C = 500\text{mA}, I_B = 50\text{mA}$	V_{BESAT}			1.2	V
Transition frequency	$V_{CE} = 6\text{V}, I_B = 20\text{mA}$	f_T	100			MHz

CLASSIFICATION OF $h_{FE(1)}$

Classification	S9013-D	S9013-E	S9013-F	S9013-G	S9013-H	S9013-I	S9013-J
Range	64-91	78-112	96-135	102-166	144-202	200-350	300-400

Typical Characteristics

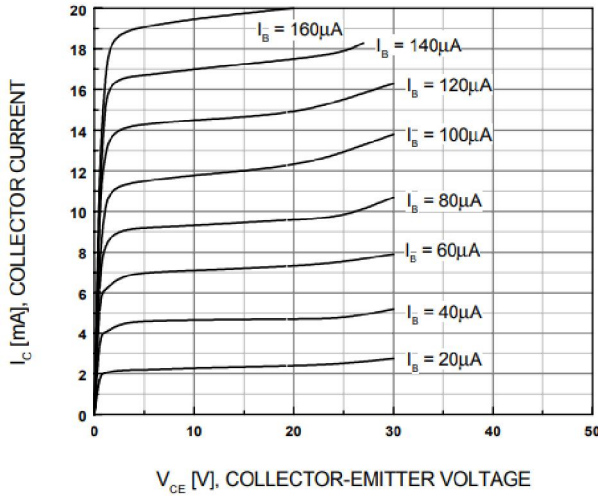


Figure 1. Static Characteristic

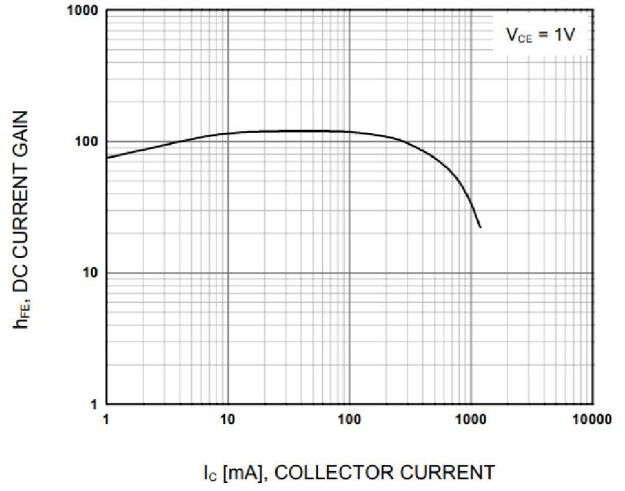


Figure 2. DC current Gain

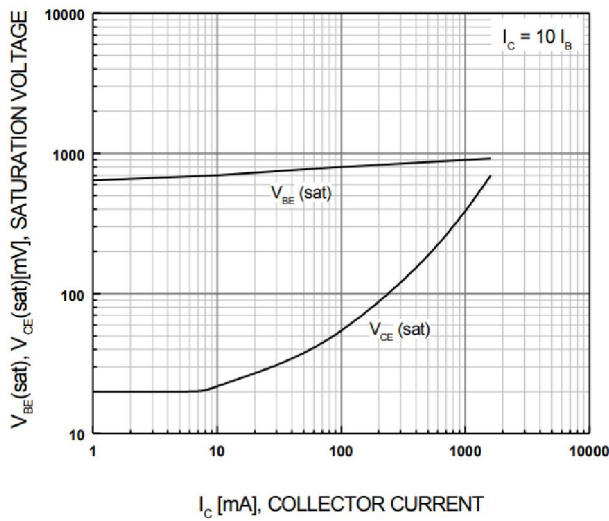


Figure 3. Base-Emitter Saturation Voltage
Collector-Emitter Saturation Voltage

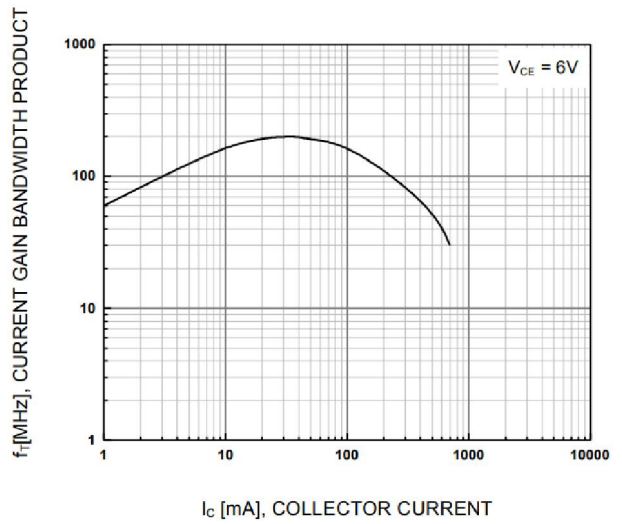


Figure 4. Current Gain Bandwidth Product

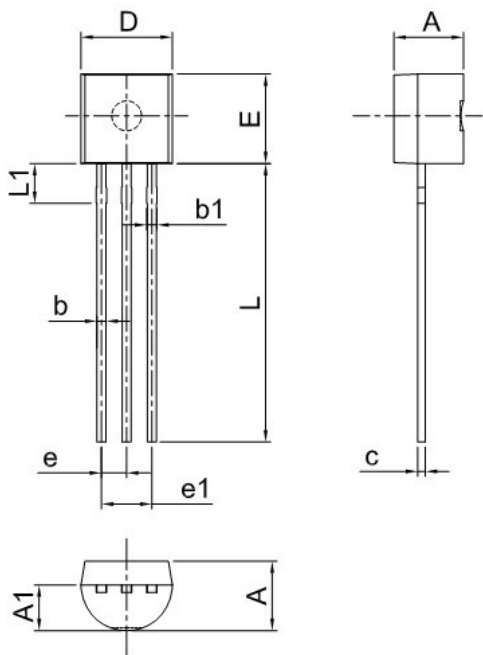
Ordering information

Package	Packing Description	Base Quantity
TO-92	Bulk	1000pcs/Bag
	Tape	2000pcs/Box

Package Dimensions

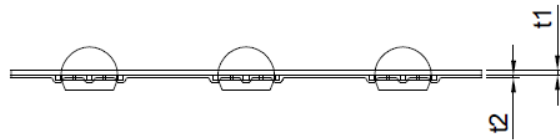
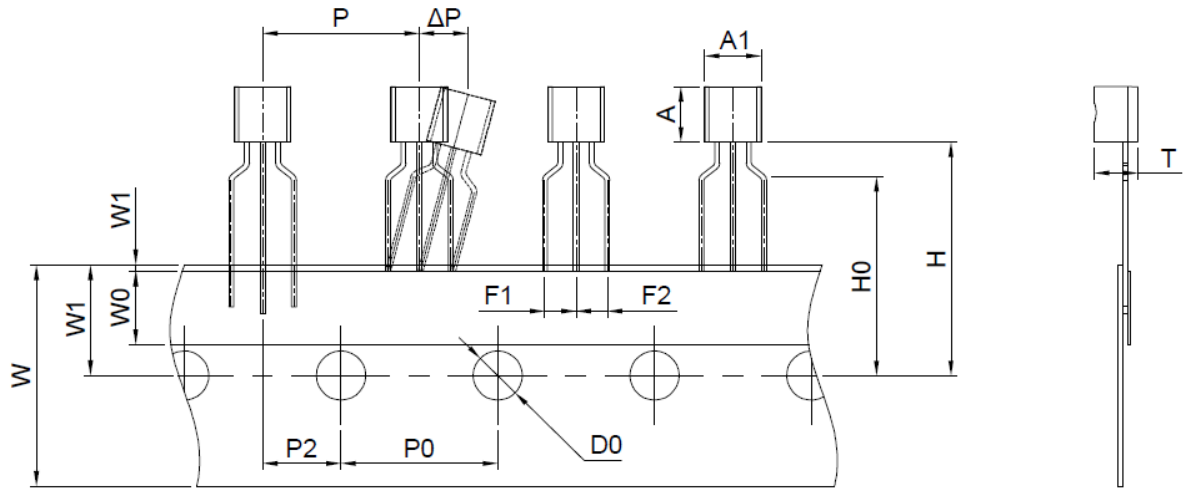
TO-92

Dim	Millimeter		Inches	
	Min.	Max.	Min.	Max.
A	3.30	3.70	0.130	0.146
A1	2.30	2.70	0.091	0.106
b	0.40	0.50	0.016	0.020
b1	0.50	0.70	0.020	0.028
c	0.35	0.45	0.014	0.018
D	4.45	4.70	0.175	0.185
E	4.40	4.65	0.173	0.183
e	1.17	1.37	0.046	0.054
e1	2.34	2.64	0.092	0.104
L	13.50	14.50	0.531	0.571
L1	1.80	2.20	0.071	0.087

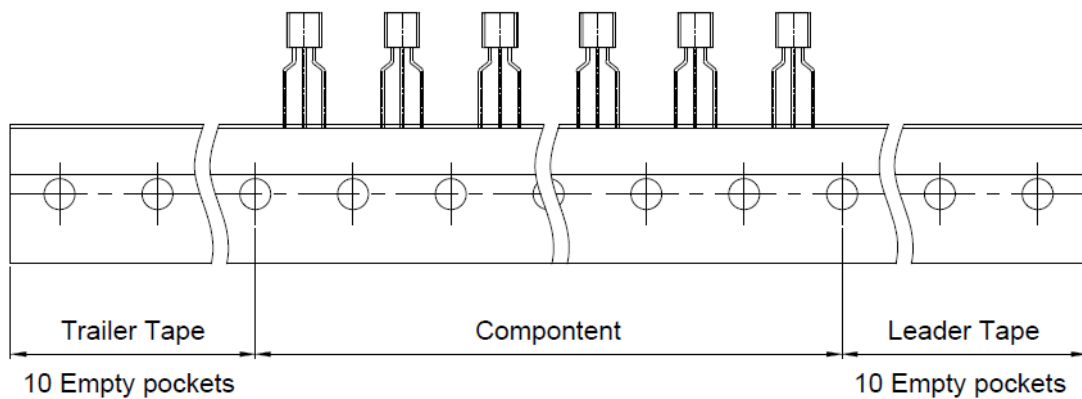


Taping Dimensions

TO-92



Dimensions are in millimeter								
A	A1	T	P	P0	P2	F1	F2	W
4.6	4.6	3.5	12.7	12.7	6.35	2.54	2.54	18.0
W0	W1	W2	H	H0	D0	t1	T2	ΔP
6.0	9.0	1.0Max	19.0	18.0	4.0	0.4	0.2	0



Disclaimer

The information presented in this document is for reference only. GuangDong Youfeng Microelectronics Co.,Ltd. reserves the right to make changes without notice for the specification of the products displayed herein to improve reliability, function or design or otherwise. The product listed herein is designed to be used with ordinary electronic equipment or devices, and not designed to be used with equipment or devices which require high level of reliability and the malfunction of which would directly endanger human life (such as medical instruments, transportation equipment, aerospace machinery, nuclear-reactor controllers, fuel controllers and other safety devices), YFW or anyone on its behalf, assumes no responsibility or liability for any damages resulting from such improper use of sale. This publication supersedes & replaces all information previously supplied. For additional information, please visit our website <https://www.yfwdiode.com>, or consult YFW sales office for further assistance.