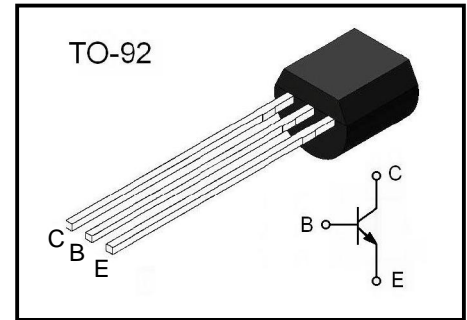


**NPN Plastic-Encapsulate Transistors**

Switching and Amplifier Applications



**Absolute Maximum Ratings (Ta=25°C)**

Parameter	Symbol	Value	Unit
Collector-Base Voltage	$BV_{CBO}$	50	V
Collector-Emitter Voltage	$BV_{CEO}$	45	V
Emitter-Base Voltage	$BV_{EBO}$	6	V
Collector Current	$I_C$	100	mA
Collector Power Dissipation	$P_C$	500	mW
Junction Temperature	$T_j$	150	°C
Storage Temperature	$T_{stg}$	-55~+150	°C

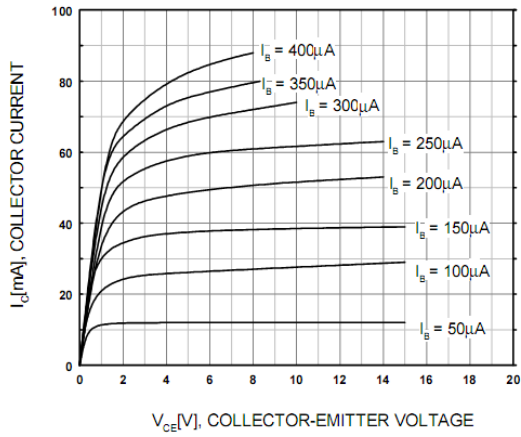
**ELECTRICAL CHARACTERISTICS (Ta=25°C)**

Parameter	Symbol	Conditions	Min	Typ	Max	Unit
Collector-base breakdown voltage	$BV_{CBO}$	$I_C = 100\mu A, I_E = 0$	50			V
Collector-emitter breakdown voltage	$BV_{CEO}$	$I_C = 1mA, I_B = 0$	45			V
Emitter-base breakdown voltage	$BV_{EBO}$	$I_E = 100\mu A, I_C = 0$	6			V
Collector cut-off current	$I_{CBO}$	$V_{CB} = 50V, I_E = 0$			15	nA
Emitter cut-off current	$I_{EBO}$	$V_{EB} = 5V, I_C = 0$			15	nA
DC current gain	$h_{FE}$	$V_{CE} = 5V, I_C = 2mA$	120		800	
Collector-emitter saturation voltage	$V_{CE(sat)}$	$I_C = 10mA, I_B = 0.5mA$			0.2	V
		$I_C = 100mA, I_B = 5mA$			0.6	
Base-emitter saturation voltage	$V_{BE(sat)}$	$I_C = 10mA, I_B = 0.5mA$			0.83	V
		$I_C = 100mA, I_B = 5mA$			1.05	
Base-emitter saturation voltage	$V_{BE(on)}$	$V_{CE} = 5V, I_C = 2mA$			0.7	V
Transition frequency	$f_T$	$V_{CE} = 5V, I_C = 10mA$	150			MHz
Collector output capacitance	$C_{ob}$	$V_{CB} = -10V, I_E = 0, f = 1MHz$		3.5		pF

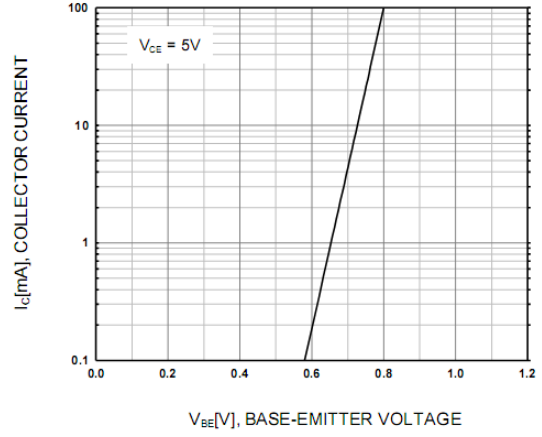
**hFE Classification**

Classification	BC237-A	BC237-B	BC237-C
Range	120~220	180~460	380~800

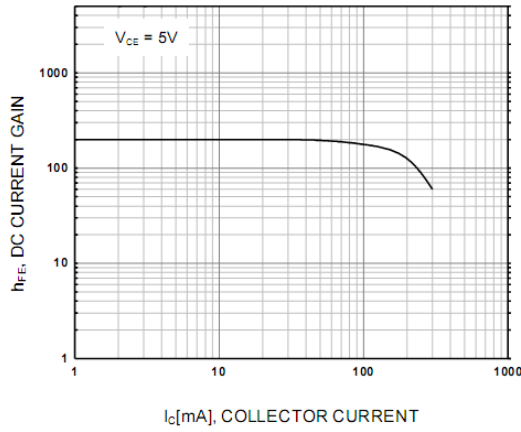
Typical Characteristics



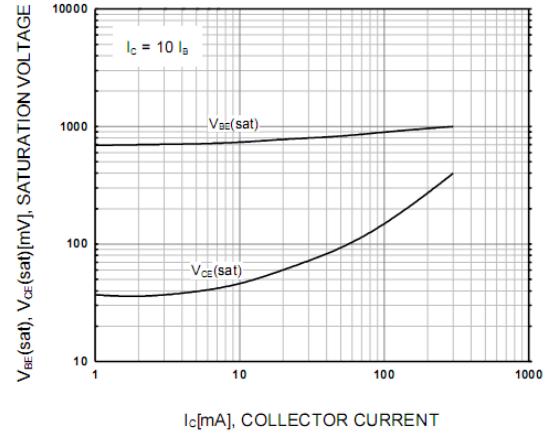
**Figure 1. Static Characteristic**



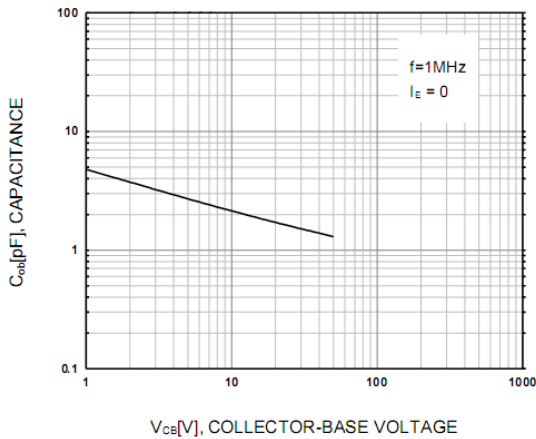
**Figure 2. Transfer Characteristic**



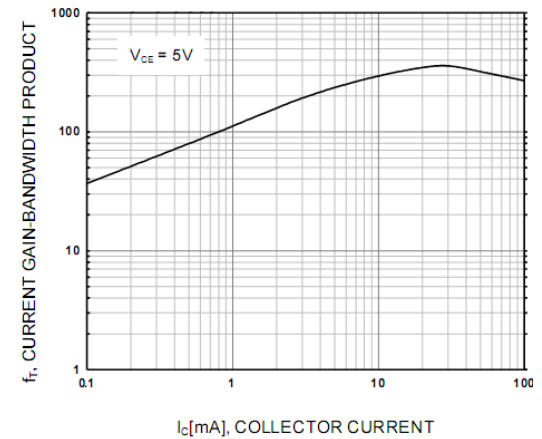
**Figure 3. DC current Gain**



**Figure 4. Saturation Voltage**



**Figure 5. Output Capacitance**



**Figure 6. Current Gain Bandwidth Product**

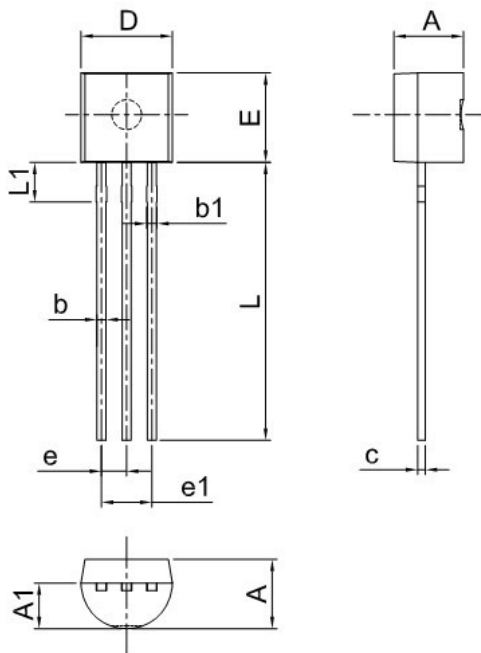
**Ordering information**

Package	Packing Description	Base Quantity
TO-92	Bulk	1000pcs/Bag
	Tape	2000pcs/Box

**Package Dimensions**

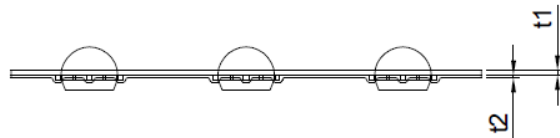
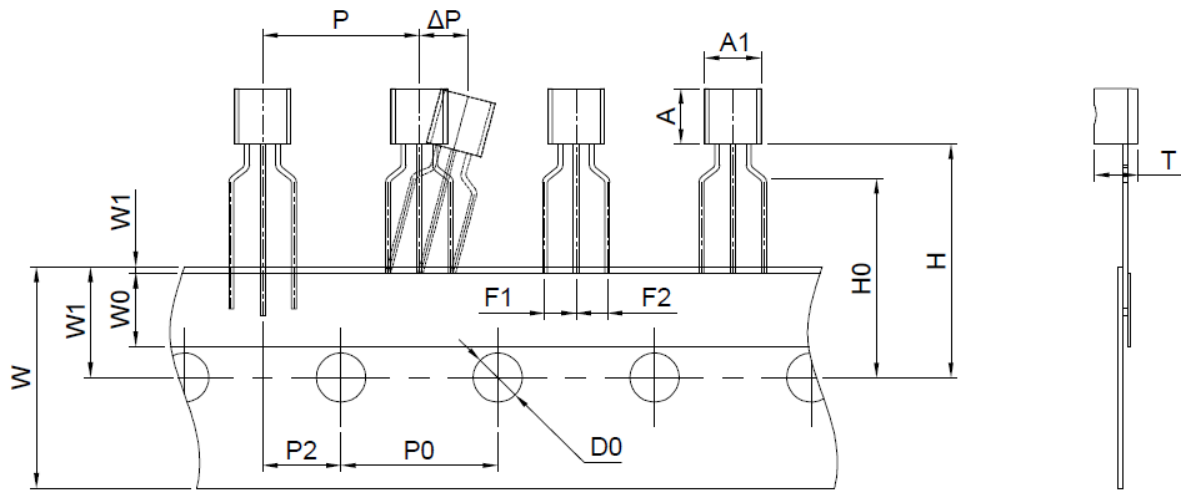
**TO-92**

Dim	Millimeter		Inches	
	Min.	Max.	Min.	Max.
A	3.30	3.70	0.130	0.146
A1	2.30	2.70	0.091	0.106
b	0.40	0.50	0.016	0.020
b1	0.50	0.70	0.020	0.028
c	0.35	0.45	0.014	0.018
D	4.45	4.70	0.175	0.185
E	4.40	4.65	0.173	0.183
e	1.17	1.37	0.046	0.054
e1	2.34	2.64	0.092	0.104
L	13.50	14.50	0.531	0.571
L1	1.80	2.20	0.071	0.087

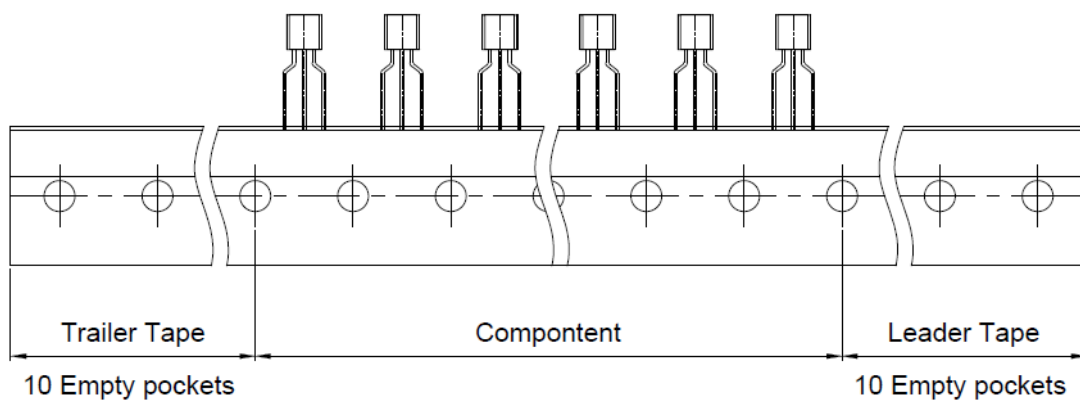


Taping Dimensions

TO-92



Dimensions are in millimeter								
A	A1	T	P	P0	P2	F1	F2	W
4.6	4.6	3.5	12.7	12.7	6.35	2.54	2.54	18.0
W0	W1	W2	H	H0	D0	t1	T2	ΔP
6.0	9.0	1.0Max	19.0	18.0	4.0	0.4	0.2	0



## Disclaimer

The information presented in this document is for reference only. GuangDong Youfeng Microelectronics Co.,Ltd. reserves the right to make changes without notice for the specification of the products displayed herein to improve reliability, function or design or otherwise. The product listed herein is designed to be used with ordinary electronic equipment or devices, and not designed to be used with equipment or devices which require high level of reliability and the malfunction of which would directly endanger human life (such as medical instruments, transportation equipment, aerospace machinery, nuclear-reactor controllers, fuel controllers and other safety devices), YFW or anyone on its behalf, assumes no responsibility or liability for any damages resulting from such improper use of sale. This publication supersedes & replaces all information previously supplied. For additional information, please visit our website <https://www.yfwdiode.com>, or consult YFW sales office for further assistance.