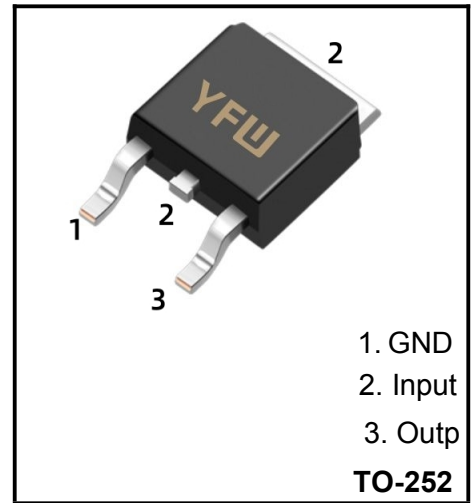


3-Terminal 1.0A Negative Voltage Regulator

Description

The 79M12 three-terminal negative regulators is available in TO-252 packages and several fixed output voltages, making it useful in a wide range of applications. These regulators can provide local on-card regulation, eliminating the distribution problems associated with single point regulation; furthermore, having the same voltage as the 7812 positive, they are particularly suited for split power supplies. If adequate heat sinking is provided, they can deliver over 1.0A output current. Although designed primarily as fixed voltage regulators, these devices can be used with external components to obtain adjustable voltages and currents.

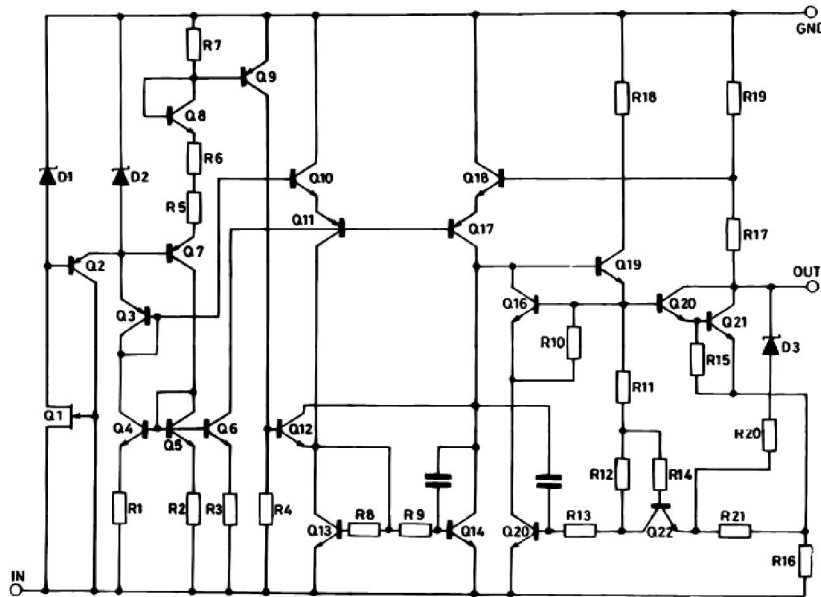


1. GND
2. Input
3. Outp
TO-252

Features

- ◆ Output Current up to 1.0A
- ◆ Output Voltages of -12V
- ◆ Thermal Overload Protection
- ◆ Short Circuit Protection
- ◆ Output transition SOA protection

Schematic diagram



Absolute Maximum Ratings

Parameter	Symbol	Value	Unit
Input Voltage	V_{IN}	-30	V
Output current	I_O	-1.5	A
Operating Junction Temperature Range	T_{OPR}	0 ~ 125	°C
Storage Temperature Range	T_{STG}	-55 ~ + 150	°C

Note: Absolute maximum ratings are those values beyond which damage to the device may occur. Functional operation under these condition is not implied.

Thermal Resistances (Ta = 25°C)

Parameter	Symbol	Value	Unit
Thermal Resistance Junction-Case	$R_{\theta JC}$	5	°C/W
Thermal Resistance Junction-Air	$R_{\theta JA}$	65	°C/W

Electrical Characteristics

 Refer to the test circuits , $I_o = -500mA$, $V_i = -19V$, $C_i = 2.2\mu F$, $C_o = 1\mu F$ unless otherwise specified

Parameter	Symbol	Conditions	Value			Unit
			Min	Typ	Max	
Output Voltage	V_o	$T_j = 25^\circ C$	-11.52	-12	-12.48	V
		$I_o = -5mA \sim -1.0A$, $P_o \leq 15W$ $V_i = -14.5 \sim -27V$	-11.40	-12	-12.60	
Line Regulation(Note)	ΔV_o	$T_j = 25^\circ C$	$V_i = -14.5V \sim -30V$		240	mV
			$V_i = -16V \sim -30V$		120	
Load Regulation(Note)	ΔV_o	$T_j = 25^\circ C$	$I_o = -5mA \sim -1.0A$		240	mV
			$I_o = -0.25A \sim -0.75A$		120	
Quiescent Current	I_Q	$T_j = 25^\circ C$			8.0	mA
Quiescent Current Change	ΔI_Q	$I_o = -5mA \sim -1.0A$			0.5	mA
		$I_o = -14.5V \sim -30V$			1.0	
Output Voltage Drift	$\Delta V / \Delta T$	$I_o = 5mA$		-0.8		mV/°C
Output Noise Voltage	V_N	$f = 10HZ \sim 100KHZ$, $T_j = 25^\circ C$		200		μV
Ripple Rejection	RR	$f = 120Hz$, $\Delta V_i = 10V$		60		dB
Dropout Voltage	V_D	$I_o = 1.0A$, $T_j = 25^\circ C$		2		V
Short Circuit Current	I_{SC}	$V_i = -35V$, $T_j = 25^\circ C$		300		mA
Peak Current	I_{PK}	$T_j = 25^\circ C$		2.2		A

Notes: Load and line regulation are specified at constant junction temperature. Changes in V_o due to heating effects must be taken into account separately. Pulse testing with low duty cycle is used.

Application information

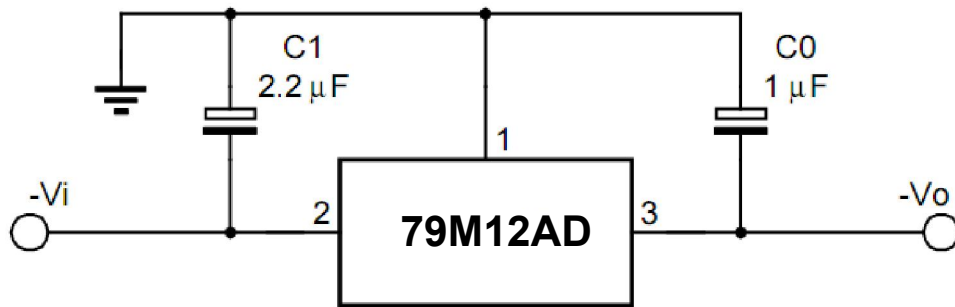
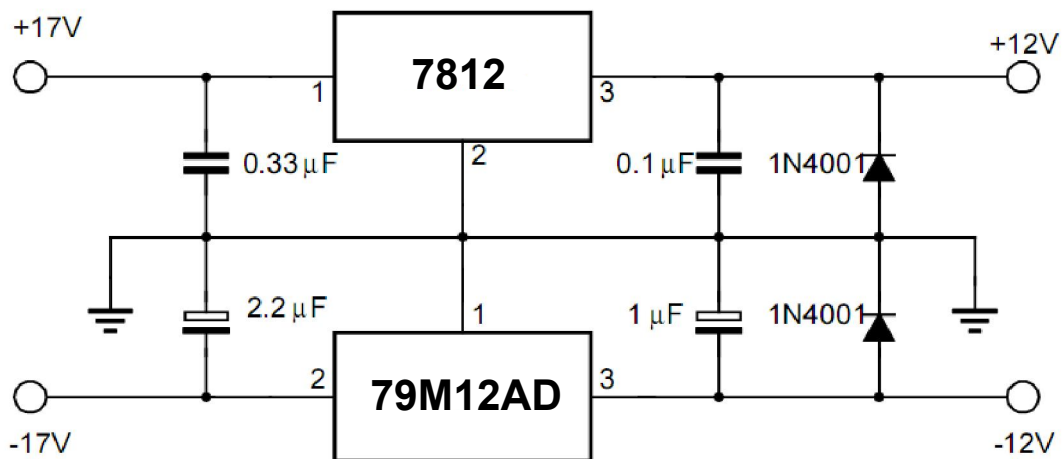


Figure 1.Fixed Output regulator

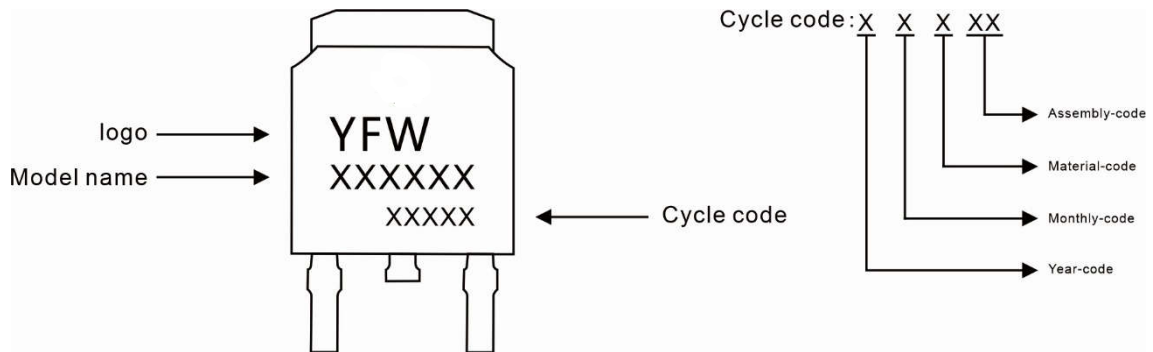
1. Required for stability. For value given, capacitor must be solid tantalum. If aluminium electrolytic are used, at least ten times value should be selected. C1 is required if regulator is located an appreciable distance from power supply filter.
- 2.To improve transient response. If large capacitors are used, a high current diode from input to output (1N4001 or similar) should be introduced to protect the device from momentary input short circuit.



(*) Against potential latch-up problems.

Figure 2.Split power supply (± 12 V, – 1.0 A)

Marking Diagram



Ordering information

Model name	Package	Unit Weight	Base Quantity	Packing Quantity
79M12AD	TO-252	0.011oz(0.32g)	2500pcs/reel	5000pcs/box 25000pcs/Carton

Package Dimensions

TO-252

Dim	Millimeter		Inches	
	Min.	Max.	Min.	Max.
A	2.20	2.50	0.087	0.098
A1	0.00	0.12	0.000	0.005
A2	2.20	2.40	0.087	0.094
B	1.20	1.60	0.047	0.063
b	0.50	0.70	0.020	0.028
b1	0.70	0.90	0.028	0.035
c	0.40	0.60	0.016	0.024
c1	0.40	0.60	0.016	0.024
D	6.35	6.65	0.250	0.262
D1	5.20	5.40	0.205	0.213
E	5.40	5.70	0.213	0.224
e	2.20	2.40	0.087	0.094
e1	4.40	4.80	0.173	0.189
L	10.00	11.00	0.393	0.433
L1	2.70	3.10	0.106	0.122
L2	1.40	1.80	0.055	0.071
L3	0.90	1.50	0.035	0.059

Disclaimer

The information presented in this document is for reference only. GuangDong Youfeng Microelectronics Co.,Ltd. reserves the right to make changes without notice for the specification of the products displayed herein to improve reliability, function or design or otherwise. The product listed herein is designed to be used with ordinary electronic equipment or devices, and not designed to be used with equipment or devices which require high level of reliability and the malfunction of which would directly endanger human life (such as medical instruments, transportation equipment, aerospace machinery, nuclear-reactor controllers, fuel controllers and other safety devices), YFW or anyone on its behalf, assumes no responsibility or liability for any damages resulting from such improper use of sale. This publication supersedes & replaces all information previously supplied. For additional information, please visit our website <https://www.yfwdiode.com>, or consult YFW sales office for further assistance.