

2A Standard SCRs

Product Summary

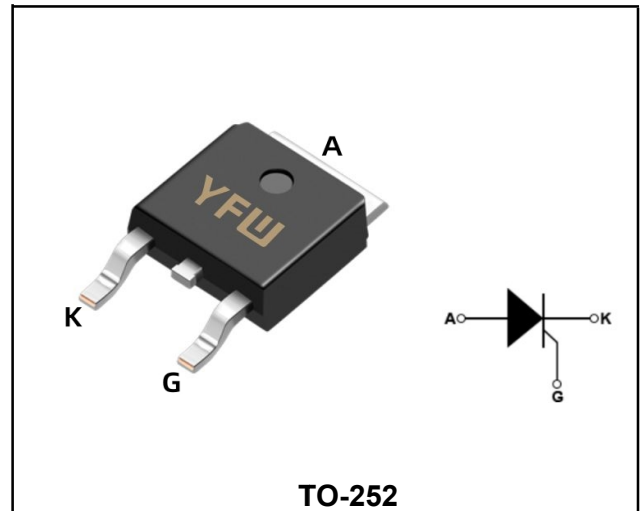
Symbol	Value	Unit
$I_{T(AV)}$	2	A
$V_{DRM} V_{RRM}$	600/800	V
V_{TM}	1.55	V

Features

With high ability to withstand the shock loading of large current, Provide high dv/dt rate with strong resistance to electromagnetic interference

Application

Power charger, T-tools, massager, solid staterelay, AC Motor speed regulation and so on.



Absolute maximum ratings (Ta=25°C unless otherwise noted)

Parameter	Symbol	Value	Unit
Repetitive peak off-state voltage	V_{DRM}	600/800	V
Repetitive peak reverse voltage	V_{RRM}	600/800	V
Average on-state current	$I_{T(AV)}$	2	A
RMS on-state current	$I_{T(RMS)}$	3	A
Non repetitive surge peak on-state current	I_{TSM}	20	A
I ² t value for fusing (tp=10ms)	I ² t	2	A ² S
Critical rate of rise of on-state current	dl _T /dt	50	A/μs
Peak gate current (tp=20us, Tj=110°C)	I _{GM}	0.2	A
Average gate power dissipation (Tj=110°C)	P _{G (AV)}	0.1	W
Junction Temperature	T _J	-40~+110	°C
Storage Temperature	T _{STG}	-40 ~+150	°C

Electrical characteristics (TA=25°C, unless otherwise noted)

Parameter	Symbol	Test Condition	Value			Unit
			Min	Typ	Max	
Gate trigger current	I_{GT}	V _D =6V, R _L =100Ω, R _{GK} =1kΩ	10	-	200	μA
Gate trigger voltage	V_{GT}	V _D =12V, R _L =100Ω, R _{GK} =1kΩ	-	-	0.8	v
Gate non-trigger voltage	V_{GD}	V _D =1/2V _{DRM} , R _{GK} =1kΩ, T _J =110°C	0.2	-	-	v
Holding current	I_H	V _D =24V, R _{GK} =1kΩ, I _{TM} =4A, T _J =25°C	-	1	3	mA
latching current	I_L	I _G =1.2I _{GT}	-	-	4	mA
Critical-rate of rise of commutation voltage	dVb/dt	V _D =2/3V _{DRM} , R _{GK} =1kΩ, T _J =110°C	10	-	-	V/μs

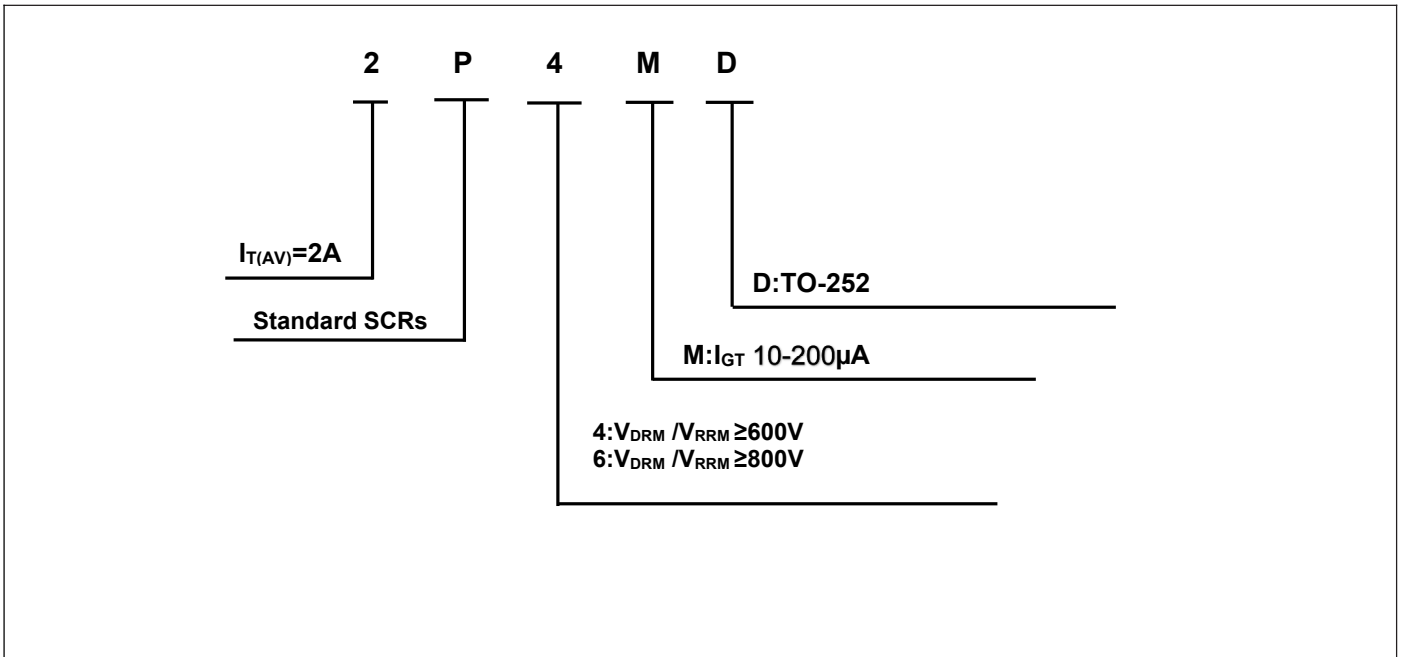
STATIC CHARACTERISTICS

Forward "on" voltage	V_{TM}	I _{TM} =4A	-	-	1.55	V
Repetitive Peak Off-State Current	I_{DRM}	V _D =V _{DRM} /V _{RRM} , T _J =25°C	-	-	5	μA
Repetitive Peak Reverse Current	I_{RRM}	V _D =V _{DRM} /V _{RRM} , T _J =110°C	-	-	100	μA

THERMAL RESISTANCES

Thermal resistance	Rth(j-c)	Junction to case		TYP.	6.5	°C/W
	Rth(j-a)	Junction to ambient	S=0.5cm ²	TYP.	70	°C/W

Ordering Information



Typical Characteristics

FIG.1: Maximum power dissipation versus RMS on-state current (full cycle)

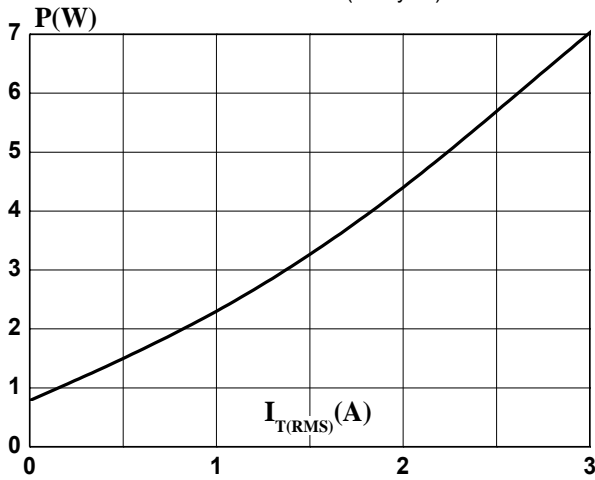


FIG.2: RMS on-state current versus case temperature (full cycle)

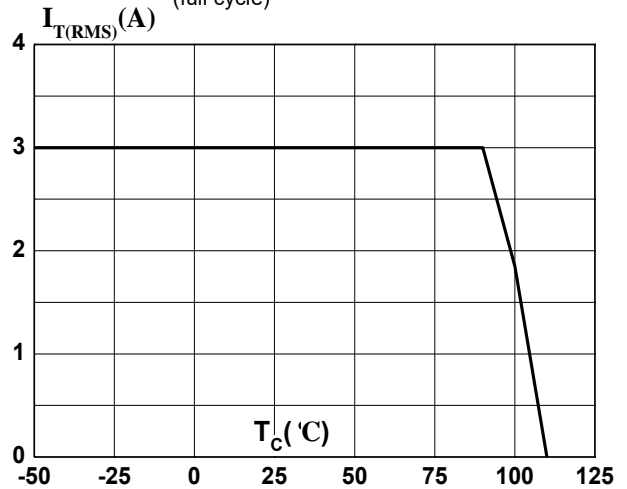


FIG.3: Surge peak on-state current versus number of cycles

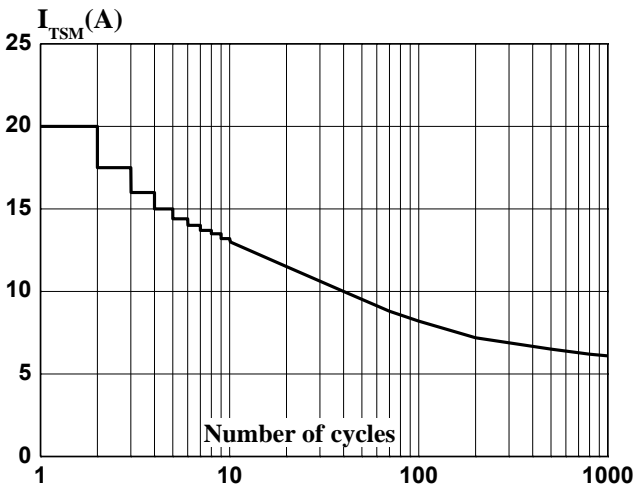


FIG.4: On-state characteristics (maximum values)

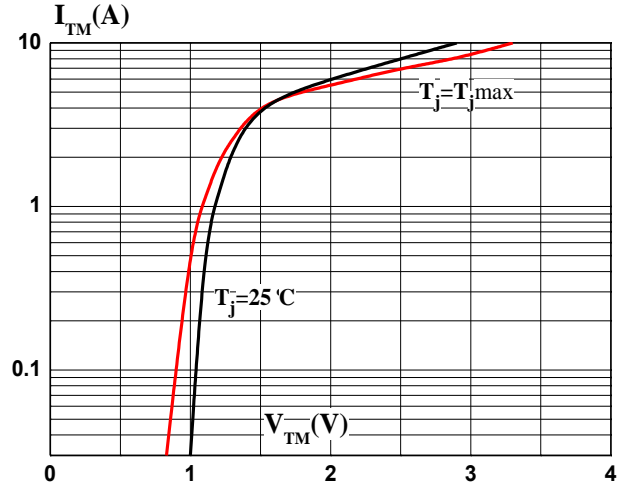


FIG.5: Non-repetitive surge peak on-state current for a sinusoidal pulse with width tp < 10ms

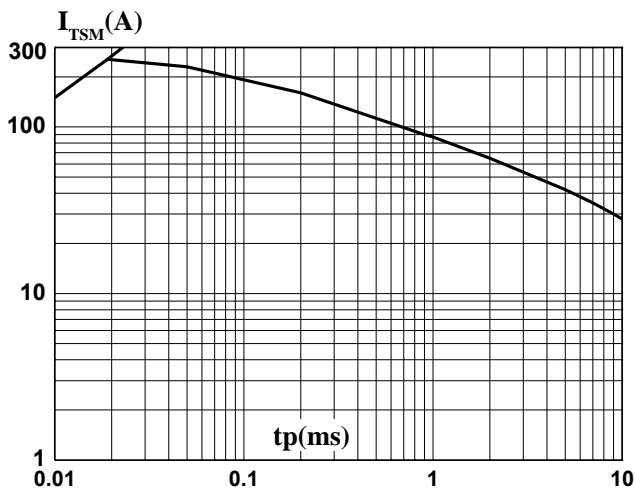
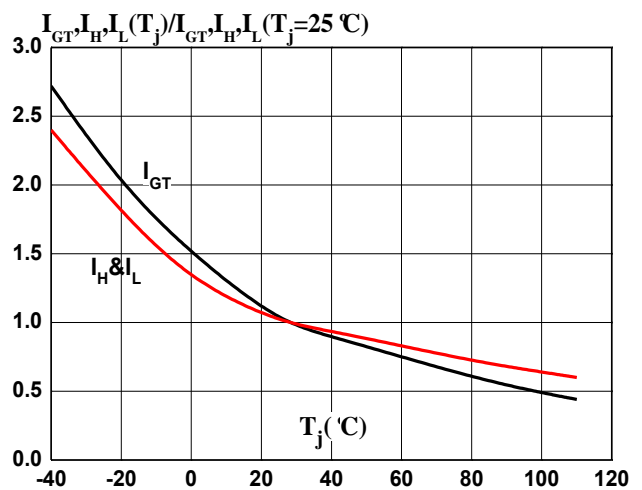
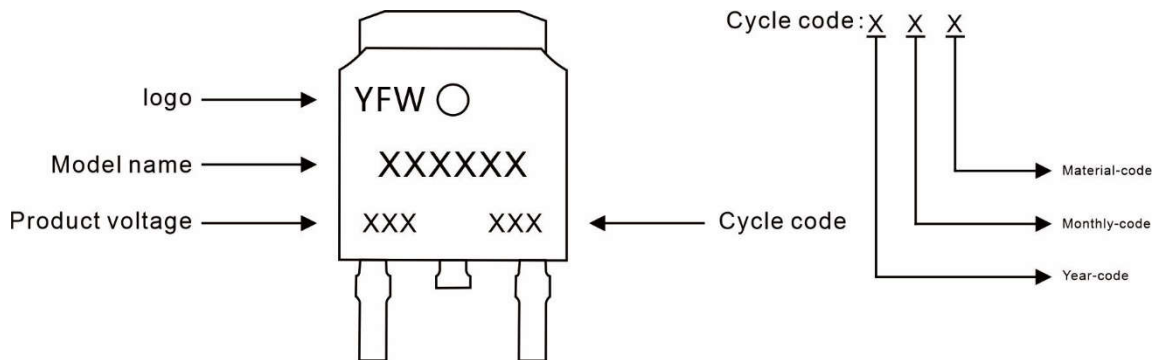


FIG.6: Relative variations of gate trigger current, holding current and latching current versus junction temperature (typical values)



Marking Diagram



Ordering information

Model name	Package	Unit Weight	Base Quantity	Packing Quantity
2P4MD	TO-252	0.011oz(0.32g)	2500pcs/reel	5000pcs/box 25000pcs/Carton

Package Dimensions

TO-252

Dim	Millimeter		Inches	
	Min.	Max.	Min.	Max.
A	2.20	2.50	0.087	0.098
A1	0.00	0.12	0.000	0.005
A2	2.20	2.40	0.087	0.094
B	1.20	1.60	0.047	0.063
b	0.50	0.70	0.020	0.028
b1	0.70	0.90	0.028	0.035
c	0.40	0.60	0.016	0.024
c1	0.40	0.60	0.016	0.024
D	6.35	6.65	0.250	0.262
D1	5.20	5.40	0.205	0.213
E	5.40	5.70	0.213	0.224
e	2.20	2.40	0.087	0.094
e1	4.40	4.80	0.173	0.189
L	10.00	11.00	0.393	0.433
L1	2.70	3.10	0.106	0.122
L2	1.40	1.80	0.055	0.071
L3	0.90	1.50	0.035	0.059

Disclaimer

The information presented in this document is for reference only. GuangDong Youfeng Microelectronics Co.,Ltd. reserves the right to make changes without notice for the specification of the products displayed herein to improve reliability, function or design or otherwise. The product listed herein is designed to be used with ordinary electronic equipment or devices, and not designed to be used with equipment or devices which require high level of reliability and the malfunction of with would directly endanger human life (such as medical instruments, transportation equipment, aerospace machinery, nuclear-reactor controllers, fuel controllers and other safety devices),YFW or anyone on its behalf, assumes no responsibility or liability for any damages resulting from such improper use of sale. This publication supersedes & replaces all information previously supplied. For additional information, please visit our website <https://www.yfwdiode.com>, or consult YFW sales office for further assistance.