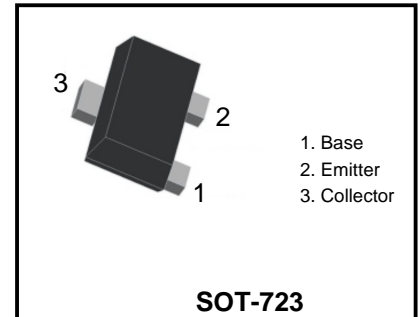


PNP Transistors

Features

- ↕Complementary to MMBT3904M
- ↕Small Package

Marking Code	
MMBT3906M	3N

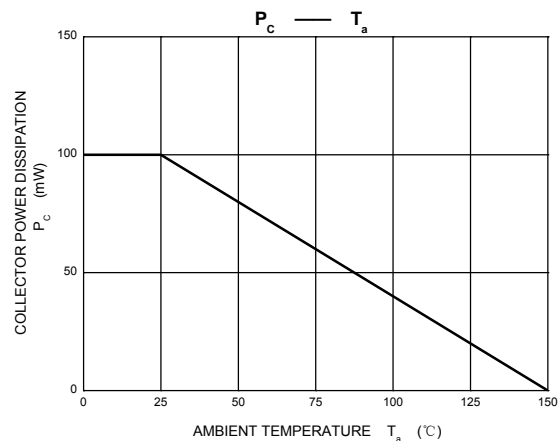
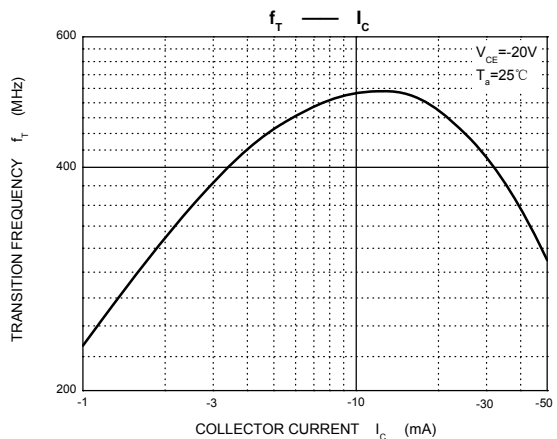
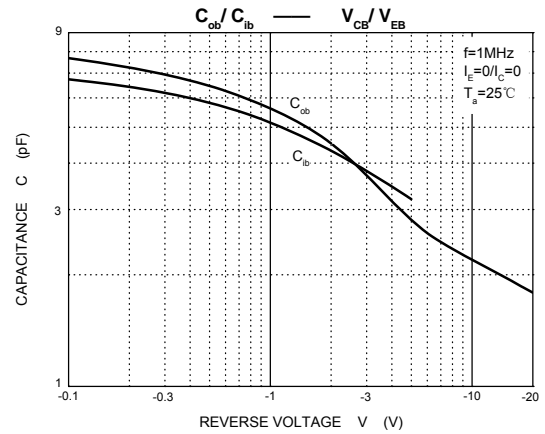
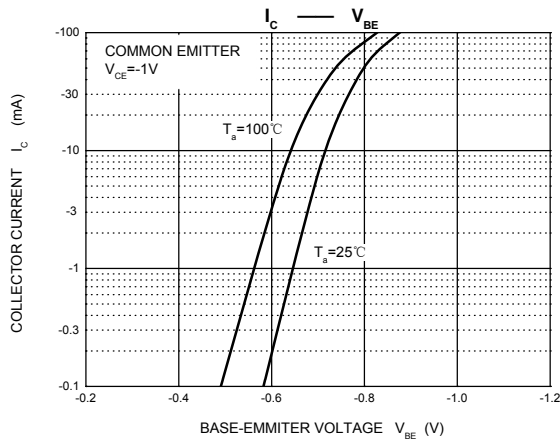
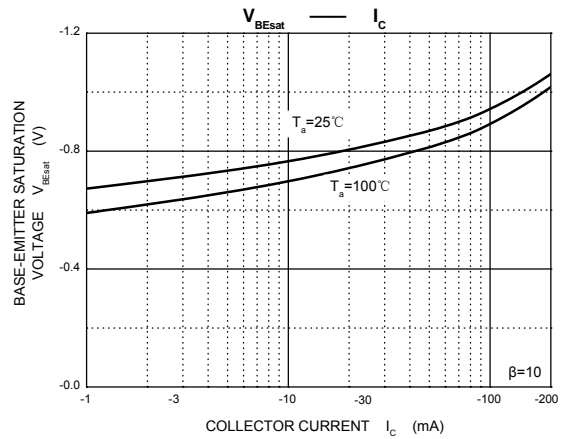
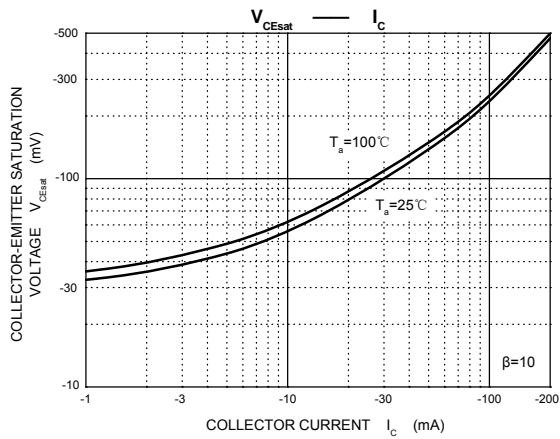
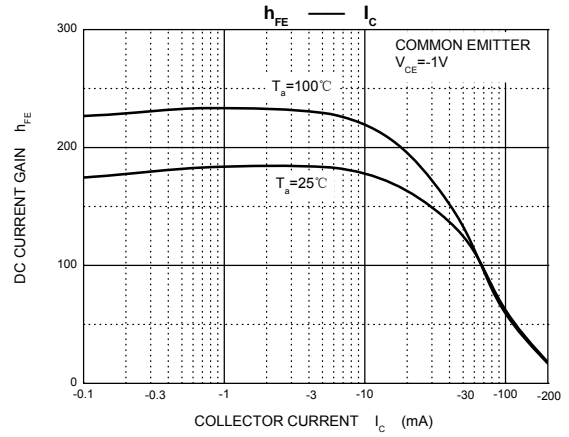
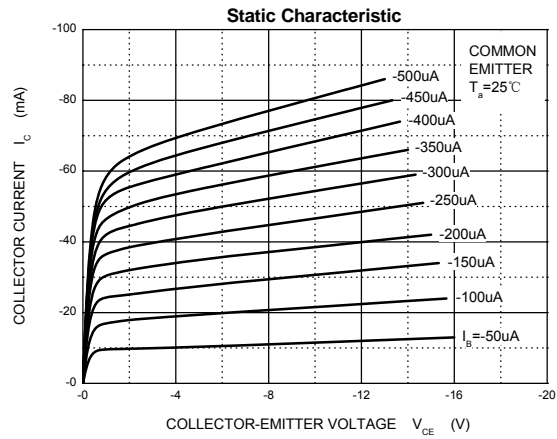


Absolute Maximum Ratings Ta = 25°C

Symbol	Parameter	Value	Unit
V _{CB0}	Collector-Base Voltage	-40	V
V _{CE0}	Collector-Emitter Voltage	-40	V
V _{EBO}	Emitter-Base Voltage	-5	V
I _c	Collector Current -Continuous	-0.2	A
P _c	Power Dissipation	100	mW
R _{θJA}	Thermal Resistance from Junction to Ambient	1250	°C/W
T _J	Junction Temperature	150	°C
T _{stg}	storage Temperature	-55~+150	°C

Electrical Characteristics Ta = 25°C

Parameter	Symbol	Test conditions	Min	Typ	Max	Unit
Collector-base breakdown voltage	V _{(BR)CBO}	I _c =-10μA, I _E =0	-40			V
Collector-emitter breakdown voltage	V _{(BR)CEO}	I _c =-1mA, I _B =0	-40			V
Emitter-base breakdown voltage	V _{(BR)EBO}	I _E =-10μA, I _C =0	-5			V
Collector cut-off current	I _{CBO}	V _{CB} =-40V, I _E =0			-100	nA
Collector cut-off current	I _{CEX}	V _{CE} =-30V, V _{BE(off)} =-3V			-50	nA
Emitter cut-off current	I _{EBO}	V _{EB} =-5V, I _C =0			-100	nA
DC current gain	h _{FE(1)}	V _{CE} =-1V, I _C =-10mA	100		300	
	h _{FE(2)}	V _{CE} =-1V, I _C =-50mA	60			
	h _{FE(3)}	V _{CE} =-2V, I _C =-100mA	30			
Collector-emitter saturation voltage	V _{CE(sat)}	I _C =-50mA, I _B =-5mA			-0.3	V
Base-emitter saturation voltage	V _{BE(sat)}	I _C =-50mA, I _B =-5mA			-0.95	V
Transition frequency	f _r	V _{CE} =-20V, I _C =-10mA, f=100MHz	300			MHz
Delay time	t _d	V _{CC} =-3V, V _{BE(off)} =-0.5V, I _C =-10mA, I _{B1} =I _{B2} =-1mA			35	ns
Rise time	t _r				35	ns
Storage time	t _s	V _{CC} =-3V, I _C =-10mA, I _{B1} =I _{B2} =-1mA			225	ns
Fall time	t _f				75	ns



Ordering information

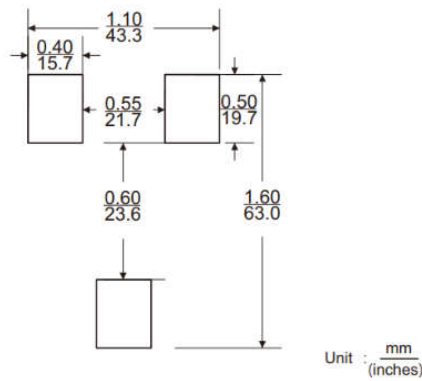
Package	Packing Description	Base Quantity	Packing Quantity
SOT-723	Tape/Reel,7"reel	8000pcs/Reel	64000PCS/Box 320000PCS/Carton

Package Dimensions

SOT-723

Dim.	Millimeter (mm)		mil	
	Min.	Max.	Min.	Max.
A	1.10	1.30	43.3	51.2
B	-	0.80	-	31.5
C	1.10	1.30	43.3	51.2
D	0.70	0.90	27.6	35.4
E	0.20	0.30	7.9	11.8
F	0.40	0.50	15.7	19.7
G	0.15	0.25	5.9	9.8
H	0.06	0.16	2.4	6.3
L	0.15	0.25	5.9	9.8

The recommended mounting pad size



Disclaimer

The information presented in this document is for reference only. Guangdong Youfeng Microelectronics Co.,Ltd. reserves the right to make changes without notice for the specification of the products displayed herein to improve reliability, function or design or otherwise. The product listed herein is designed to be used with ordinary electronic equipment or devices, and not designed to be used with equipment or devices which require high level of reliability and the malfunction of which would directly endanger human life (such as medical instruments, transportation equipment, aerospace machinery, nuclear-reactor controllers, fuel controllers and other safety devices), YFW or anyone on its behalf, assumes no responsibility or liability for any damages resulting from such improper use of sale. This publication supersedes & replaces all information previously supplied. For additional information, please visit our website <https://www.yfwdiode.com>, or consult YFW sales office for further assistance.