

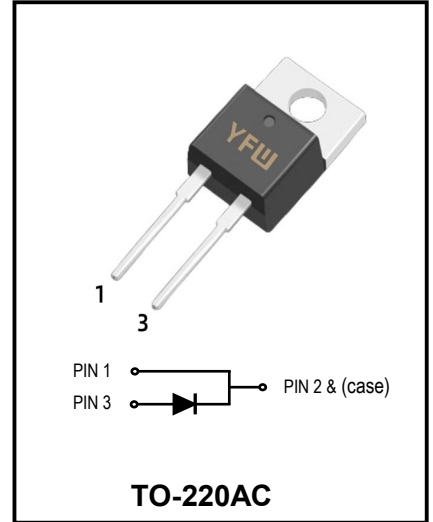
SUPER FAST RECTIFIERS

Reverse Voltage - 400-600 V

Forward Current - 30 A

Features

- ◆Low cost.
- ◆Low leakage.
- ◆Low forward voltage drop.
- ◆High current capability.
- ◆Easily cleaned with Alcohol, Isopropanol and Similar solvents.
- ◆The plastic material carries U/L recognition 94V-0



MECHANICAL DATA

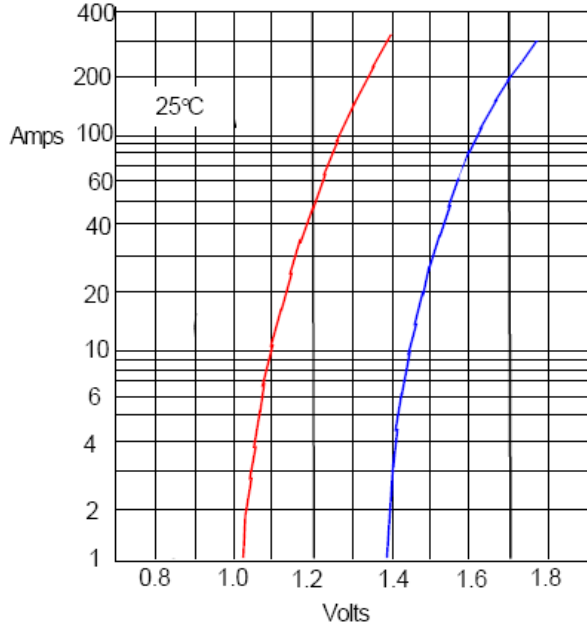
- ◆Case: TO-220AC
- ◆Molding Compound: UL Flammability Classification Rating 94V-0
- ◆Terminals: Matte tin-plated leads; solderability-per MIL-STD-202, Method 208

MAXIMUM RATING operating temperature range applies unless otherwise specified

Parameter	Symbol	MUR3040DA	MUR3060DA	Unit
Rcurrent Peak Reverse Voltage	V_{RRM}	400	600	V
RMS Voltage	V_{RMS}	280	420	V
DC Blocking Voltage	V_{DC}	400	600	V
Average Forward Rectified Current @ $T_A=100^{\circ}C$	$I_{F(AV)}$	30.0		A
Peak Forward Surge Current 8.3ms Single Half-sine-wave superimposed on Rsted Load	I_{FSM}	300		A
Reverse Current $V_R=V_{RRM}, T_A=25^{\circ}C$ $V_R=V_{RRM}, T_A=150^{\circ}C$	I_R	10 500		μA
Forward Voltage $I_F=30A$	V_F	1.35	1.7	V
Reverse Recovery Time $I_F=0.5A, I_R=1A, I_{rr}=0.25A$	t_{rr}	50		ns
Operating Junction and Storage Temperature Range	$T_j T_{stg}$	-55 to +150		$^{\circ}C$

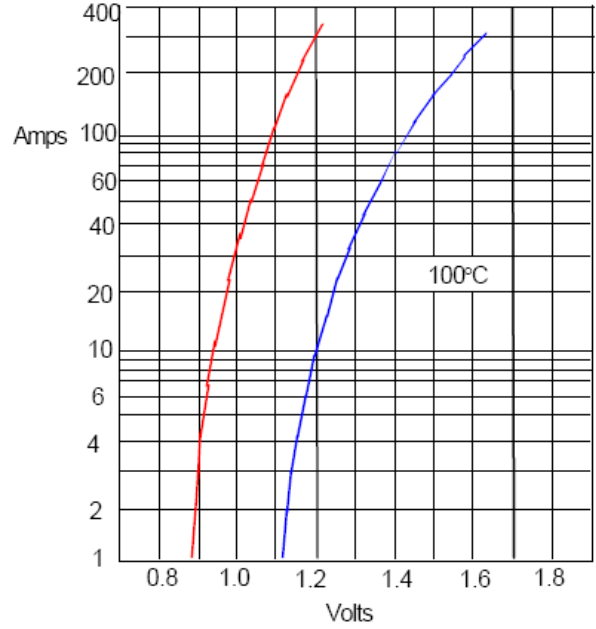
Ratings and Characteristic Curves ($T_A=25^{\circ}\text{C}$ unless otherwise noted)

Figure 1
Typical Forward Characteristics @ $T_j = 25^{\circ}\text{C}$



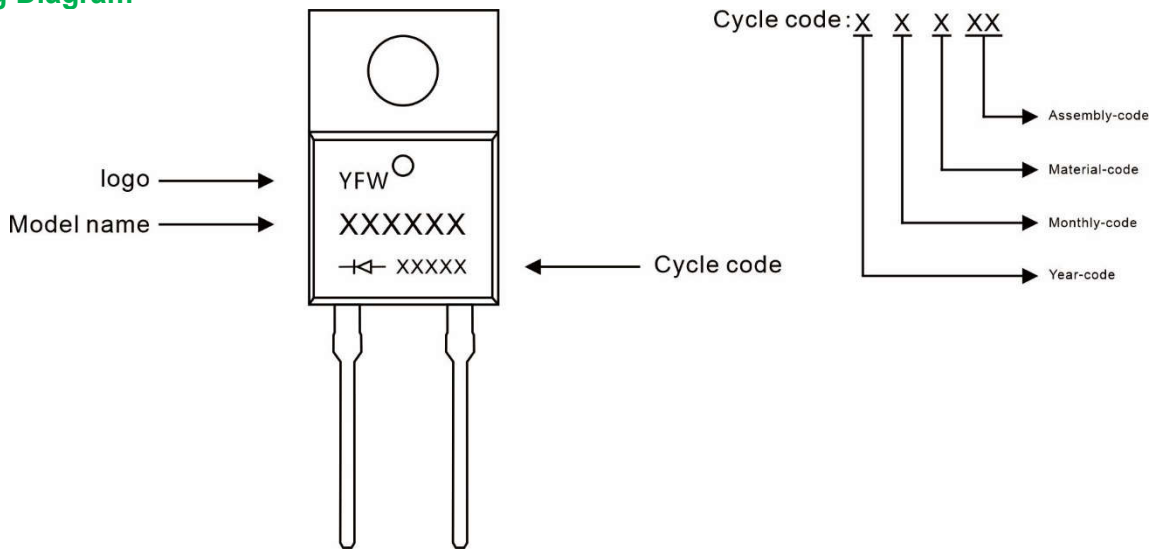
Instantaneous Forward Current - Amperes *versus* Instantaneous Forward Voltage - Volts

Figure 2
Typical Forward Characteristics @ $T_j = 100^{\circ}\text{C}$



Instantaneous Forward Current - Amperes *versus* Instantaneous Forward Voltage - Volts

Marking Diagram



Ordering information

Model name	Package	Unit Weight	Base Quantity	Packing Quantity
MURXXXXDA	TO-220AC	0.067oz(1.9g)	50pcs/tube	1000PCS/Box 5000PCS/Carton

Package Dimensions

TO-220AC

Dim	Millimeter		Inches	
	Min.	Max.	Min.	Max.
A	4.34	4.67	0.171	0.184
A1	2.52	2.82	0.099	0.111
b	0.71	0.91	0.028	0.036
b1	1.17	1.37	0.046	0.054
c	0.30	0.50	0.012	0.020
c1	1.17	1.37	0.046	0.054
D	9.90	10.20	0.390	0.402
E	8.50	8.90	0.335	0.350
E1	12.00	12.50	0.472	0.492
e	2.44	2.64	0.096	0.104
e1	4.88	5.28	0.192	0.208
F	2.60	2.80	0.102	0.110
L	13.20	13.80	0.520	0.543
L1	3.80	4.20	0.150	0.165
Φ	3.60	3.96	0.142	0.156

Disclaimer

The information presented in this document is for reference only. GuangDong Youfeng Microelectronics Co.,Ltd. reserves the right to make changes without notice for the specification of the products displayed herein to improve reliability, function or design or otherwise. The product listed herein is designed to be used with ordinary electronic equipment or devices, and not designed to be used with equipment or devices which require high level of reliability and the malfunction of with would directly endanger human life (such as medical instruments, transportation equipment, aerospace machinery, nuclear-reactor controllers, fuel controllers and other safety devices),YFW or anyone on its behalf, assumes no responsibility or liability for any damages resulting from such improper use of sale. This publication supersedes & replaces all information previously supplied. For additional information, please visit our website <https://www.yfwdiode.com>, or consult YFW sales office for further assistance.