

6.0A GLASS PASSIVATED BRIDGE RECTIFIER

Reverse Voltage - 100 to 1000 V

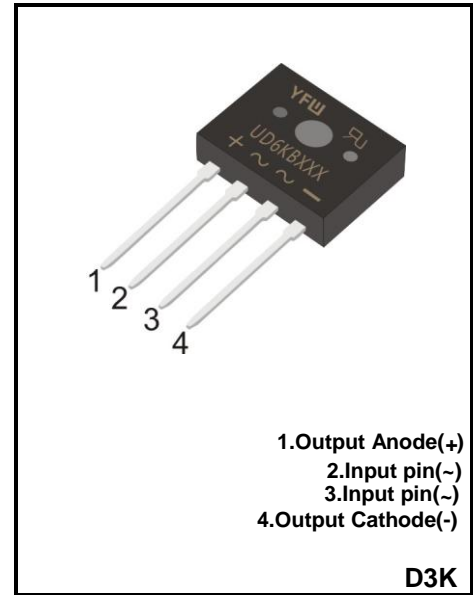
Forward Current – 6.0A

FEATURES

- ◆High current capability
- ◆Low forward voltage drop
- ◆Glass Passivated Chip Junction
- ◆Low power loss, high efficiency
- ◆Lead free in comply with EU RoHS 2011/65/EU directives

MECHANICAL DATA

- ◆Case: D3K
- ◆Terminals: Solderable per MIL-STD-202E, Method 208C
- ◆Case:UL-94 Class V-0 recognized Flame Retardant Epoxy



Maximum Ratings and Electrical characteristics

Ratings at 25 °C ambient temperature unless otherwise specified.

Parameter	Symbols	UD6KB10	UD6KB20	UD6KB40	UD6KB60	UD6KB80	UD6KB100	Units
Maximum Repetitive Peak Reverse Voltage	V_{RRM}	100	200	400	600	800	1000	V
Maximum RMS voltage	V_{RMS}	70	140	280	420	560	700	V
Maximum DC Blocking Voltage	V_{DC}	100	200	400	600	800	1000	V
Average Rectified Output Current	$I_{(AV)}$	6						A
Peak Forward Surge Current 8.3 ms Single Half Sine-Wave Superimposed on Rated Load (JEDEC method)	I_{FSM}	165						A
Forward Voltage per element @ $I_F=3.0A$ DC	V_F	1.0						V
Maximum DC Reverse Current @ $T_a=25^{\circ}C$ at Rated DC Blocking Voltage @ $T_a=125^{\circ}C$	I_R	10 500						μA
I2t Rating for Fusing(3ms \leq t \leq 8.3ms)	I^2t	93						A ² S
Maximum Typical Thermal Resistance	wwithout heatsink	$R_{\theta JA}$						$^{\circ}C/W$
	wwith heatsink	$R_{\theta JC}$						
	wwithout heatsink	$R_{\theta JL}$						
Operating and Storage Temperature Range	T_j, T_{stg}	-55 ~ +150						$^{\circ}C$

(1) Measured at 1 MHz and applied reverse voltage of 4 V D.C

(2) Device mounted on 50mm*50mm*1.6mm Cu plate heatsink.

FIG.1-DERATING CURVE OUTPUT RECTIFIED CURRENT

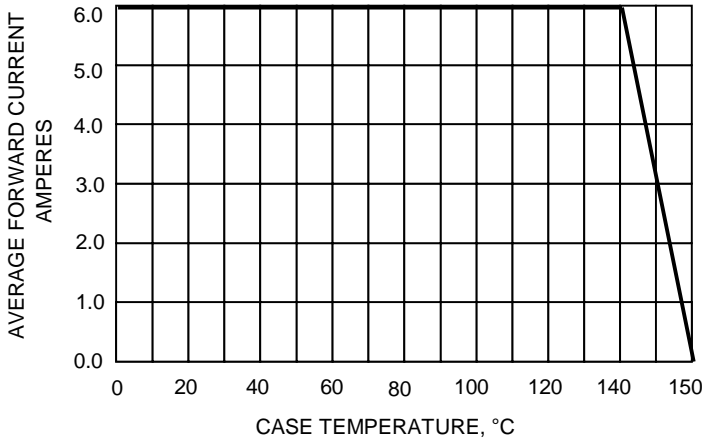


FIG.2-MAXIMUM NON-REPETITIVE SURGE CURRENT

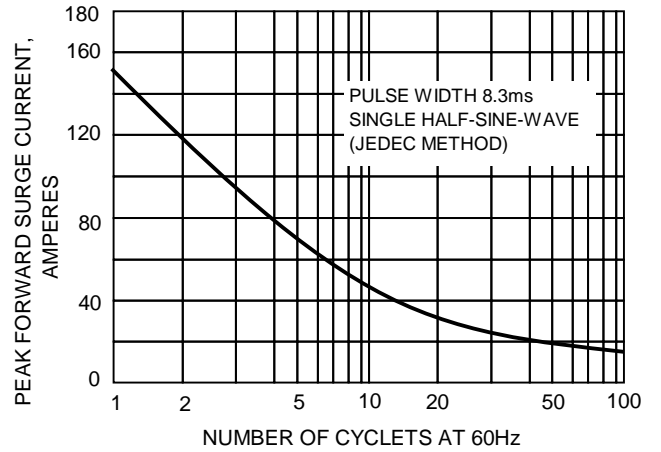


FIG.3-TYPICAL FORWARD CHARACTERISTICS

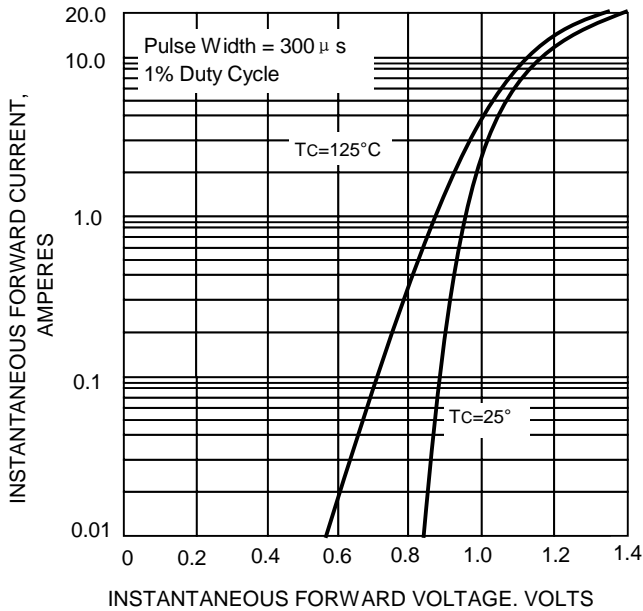
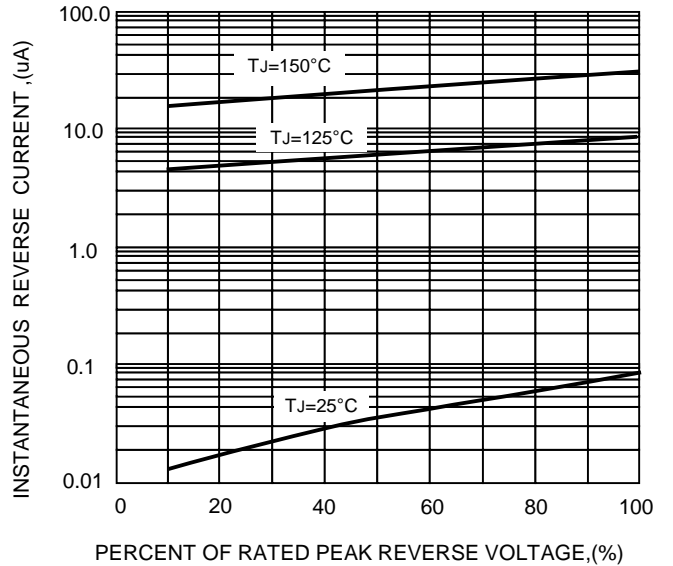
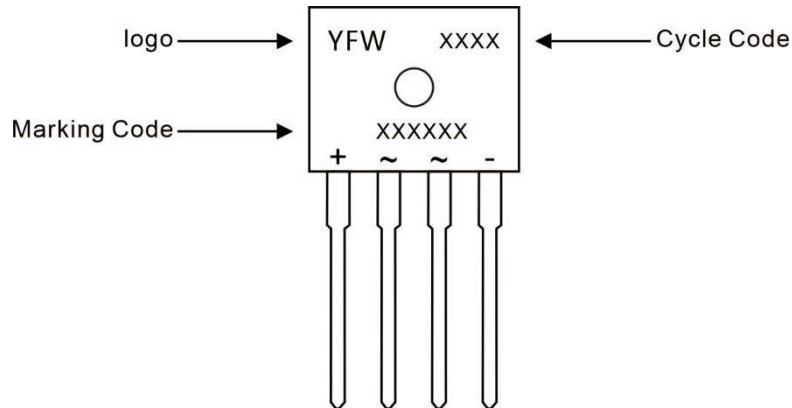


FIG.5-TYPICAL REVERSE CHARACTERISTICS



Marking Diagram



Ordering information

Package	Packing Description	Packing Quantity
D3K	bulk	500PCS/Box 5000PCS/Carton

Package Dimensions

D3K

Dim.	Millimeter(mm)		Dimensions inInch	
	Min.	Max.	Min.	Max.
A	13.5	14.5	0.53	0.57
B	10.0	11.0	0.39	0.43
C	1.8	2.4	0.07	0.09
D	12.8	14.8	0.50	0.58
E	3.76	3.86	0.15	0.15
F	0.65	0.85	0.03	0.03
G	1.2	1.4	0.05	0.06
H	5.0	5.5	0.20	0.22
I	3.05	3.45	0.12	0.14
J	3.1	3.6	0.12	0.14

Disclaimer

The information presented in this document is for reference only. GuangDong Youfeng Microelectronics Co.,Ltd. reserves the right to make changes without notice for the specification of the products displayed herein to improve reliability, function or design or otherwise. The product listed herein is designed to be used with ordinary electronic equipment or devices, and not designed to be used with equipment or devices which require high level of reliability and the malfunction of which would directly endanger human life (such as medical instruments, transportation equipment, aerospace machinery, nuclear-reactor controllers, fuel controllers and other safety devices), YFW or anyone on its behalf, assumes no responsibility or liability for any damages resulting from such improper use of sale. This publication supersedes & replaces all information previously supplied. For additional information, please visit our website <https://www.yfwdiode.com>, or consult YFW sales office for further assistance.