

4.0A FAST RECOVERY RECTIFIER BRIDGE
RECTIFIER Reverse Voltage –1000 V
Forward Current – 4.0A

FEATURES

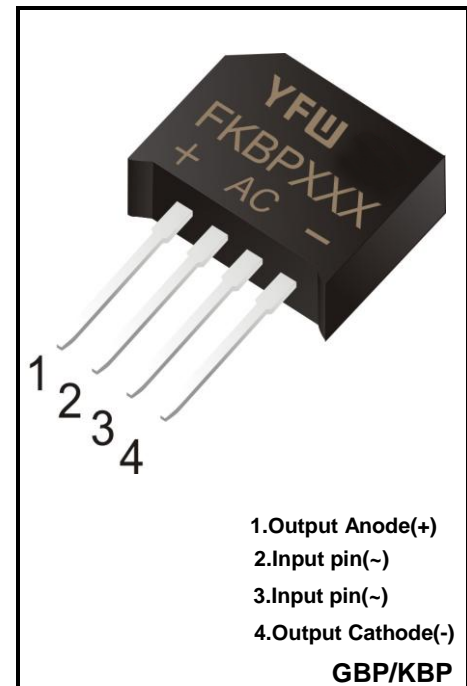
- ♦Ultrasonic recovery
- ♦LOW I_{RRM} , LOW V_F , LOW V_{RRM}
- ♦Glass Passivated Chip Junction
- ♦Special frame design for heat dissipation
- ♦Lead free in comply with EU RoHS 2011/65/EU directives

BENEFITS

- ♦Reduced EMI
- ♦Reduced Power loss and switching transistor
- ♦Reduced snubbing

MECHANICAL DATA

- ♦Case: GBP/KBP
- ♦Terminals: Solderable per MIL-STD-750, Method 2026
- ♦Approx. Weight: 1.52g /0.05oz



Maximum Ratings and Electrical characteristics

Ratings at 25 °C ambient temperature unless otherwise specified.

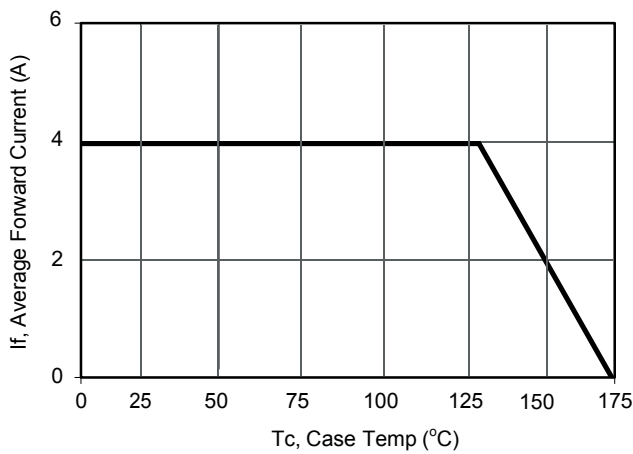
Single phase half-wave 60 Hz, resistive or inductive load, for capacitive load current derate by 20 %.

Parameter	Symbols	FKBP410	Units
Maximum Repetitive Peak Reverse Voltage	V_{RRM}	1000	V
Maximum RMS voltage	V_{RMS}	700	V
Maximum DC Blocking Voltage	V_{DC}	1000	V
Average Rectified Output Current	I_o	4.0	A
Reverse Recovery Time. $I_F=0.5A, I_R=1A, I_{RR}=0.25A$	T_{rr}	500	nS
Peak Forward Surge Current 8.3 ms Single Half Sine-Wave Superimposed on Rated Load(JEDEC method)	I_{FSM}	110	A
I^2t Rating for Fusing($1ms \leq t \leq 10ms$)	I^2t	93	A ² S
Maximum Forward Voltage at 2.0 A	V_F	1.0	V
Maximum DC Reverse Current at Rated DC Blocking Voltage	I_R	5 100	uA
Typical Junction Capacitance (Note ¹)	C_j	40	pF
Operating and Storage Temperature Range	T_j, T_{stg}	-55 ~ +175	°C

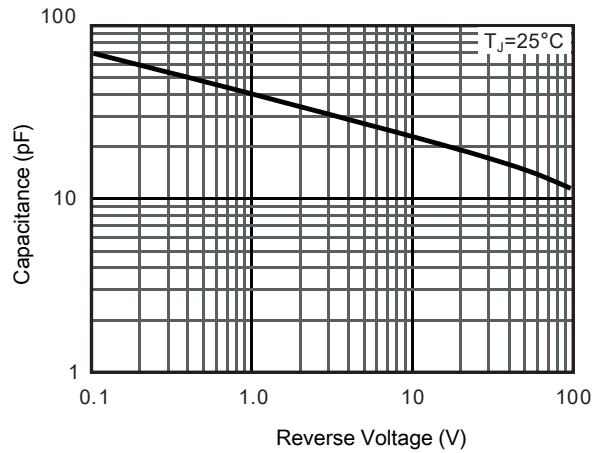
Note: 1. Measured at 1MHz and applied reverse voltage of 4 V D.C.

2. Mounted on glass epoxy PC board with 4×1.5"×1.5" (3.81×3.81 cm) copper pad.

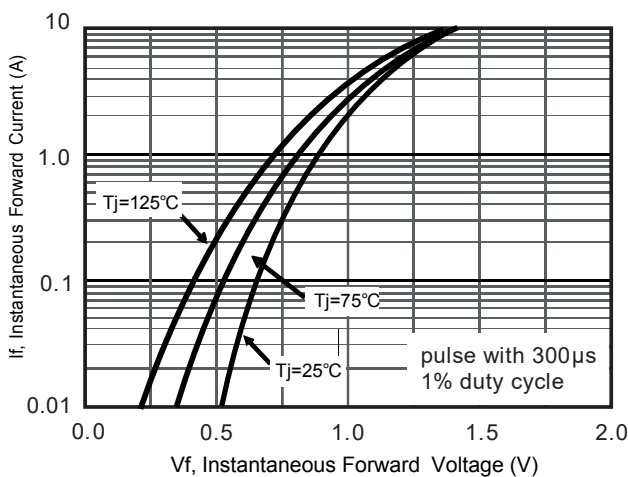
RATINGS AND CHARACTERISTICS CURVES (TA = 25 °C unless otherwise noted)



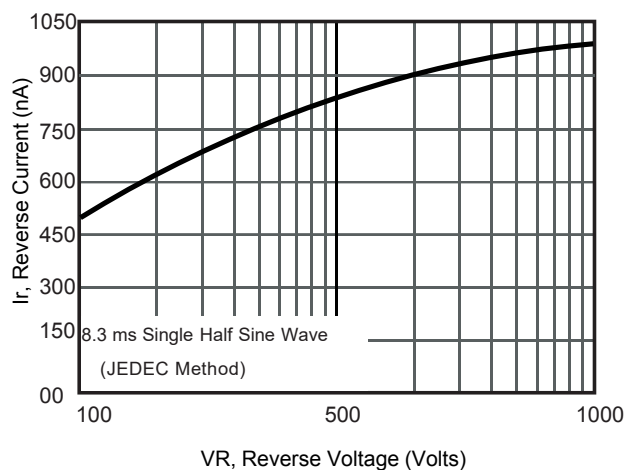
Current Derating, Case



Typical Junction Capacitance

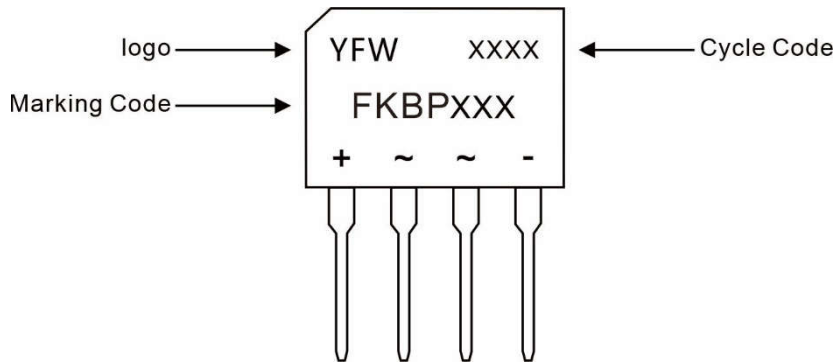


Typical Forward Voltage



Typical Reverse Current

Marking Diagram



Ordering information

Package	Packing Description	Packing Quantity
KBP	bulk	500PCS/Box 5000PCS/Carton

Package Dimensions

KBP

Dim.	Millimeter(mm)		Dimensions inInch	
	Min.	Max.	Min.	Max.
A	14.3	14.60	0.56	0.57
B	3.0	3.3	0.12	0.13
c	10.45	10.75	0.41	0.42
D	14.41	14.71	0.57	0.58
d	1.40	1.70	0.06	0.07
E	2.0	2.30	0.09	0.09
F	0.90	1.20	0.04	0.05
G	3.50	3.80	0.14	0.15
H	0.35	0.37	0.01	0.01
I	1.43	1.45	0.06	0.06
J	0.8	0.83	0.03	0.03
K	2.7×45° (Typ)		0.11×45° (Typ)	
L	#	3°	#	3°
M	#	2°	#	2°

Disclaimer

The information presented in this document is for reference only. Guangdong Youfeng Microelectronics Co.,Ltd. reserves the right to make changes without notice for the specification of the products displayed herein to improve reliability, function or design or otherwise. The product listed herein is designed to be used with ordinary electronic equipment or devices, and not designed to be used with equipment or devices which require high level of reliability and the malfunction of which would directly endanger human life (such as medical instruments, transportation equipment, aerospace machinery, nuclear-reactor controllers, fuel controllers and other safety devices), YFW or anyone on its behalf, assumes no responsibility or liability for any damages resulting from such improper use of sale. This publication supersedes & replaces all information previously supplied. For additional information, please visit our website <https://www.yfwdiode.com>, or consult YFW sales office for further assistance.